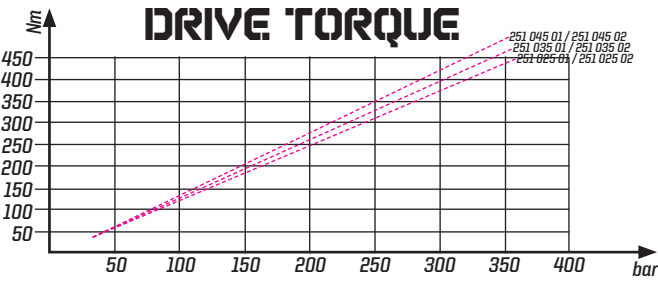
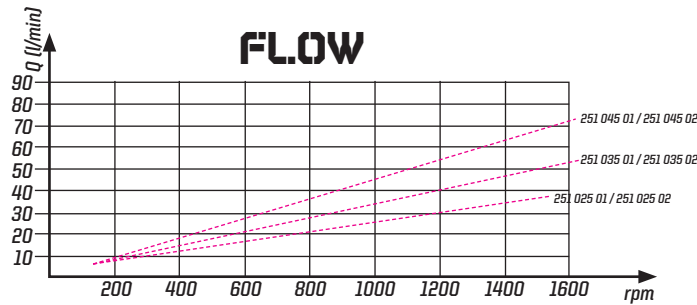
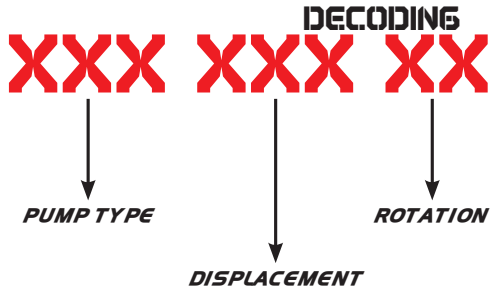
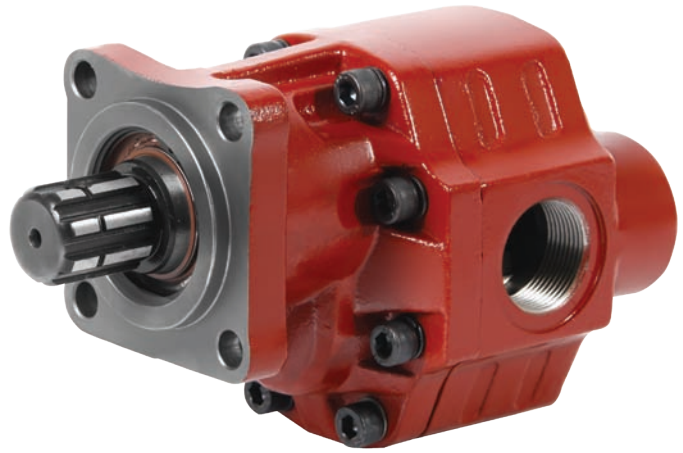


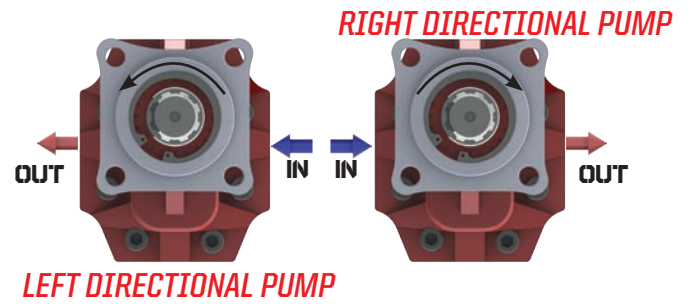


25 SERIAL. GEAR PUMP ISO

GEAR PUMPS



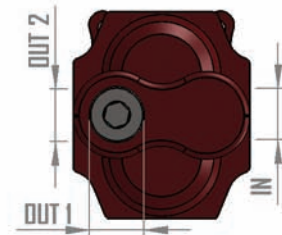
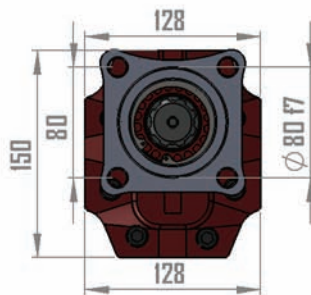
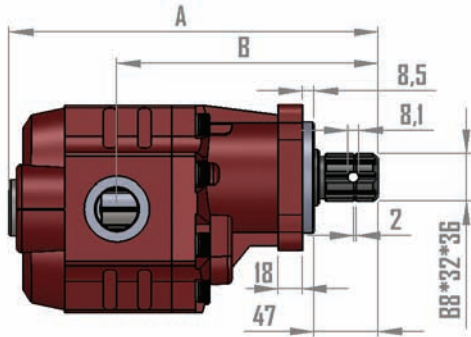
Fluid Temp. °C	Input Pres. Bar	Optimale K. Viscosity	Oil Filtering
0 / 100	0,3 / 1,7 bar	10 / 100 CST	> 200 bar : 25 um < 200 bar : 35 um



NOTE : THE ABOVE SPECIFICATIONS REFER TO OIL TYPE ISO VG 46 AT 50°

NOTE : SEE TECHNICAL PAGE TO CHANGE THE DIRECTION OF ROTATION

USED PLACED :
DUMPER TRUCKS
PRIVATE AIM WINCHES
TRACTOR LADLES

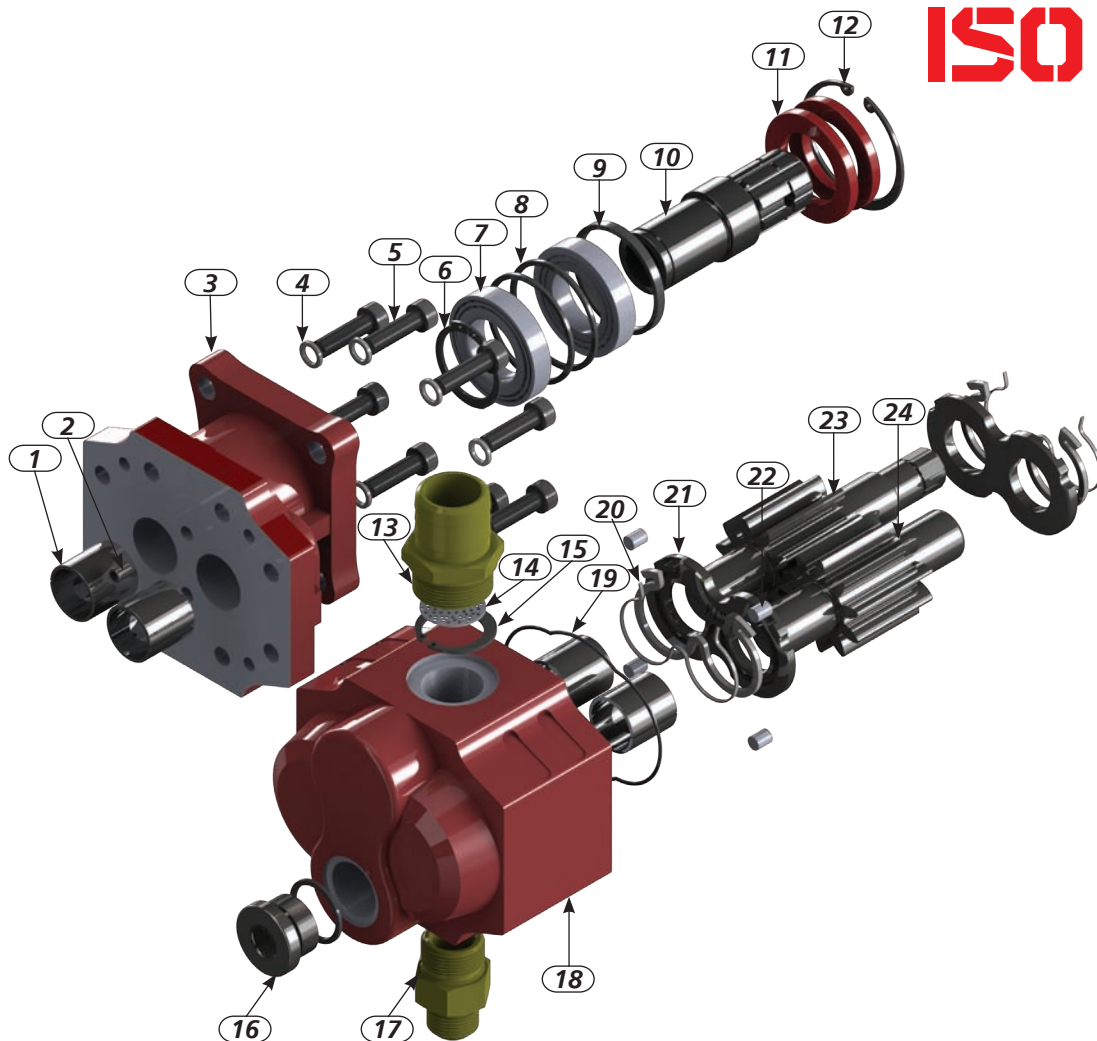


Code	Displacement cm ³ /1000	Rotation	Test Pressure	Max. Test Pressure	A	B	Oil Inlet	Oil Outlet	Max. Con. Speed Rpm	Max. Inter. Speed Rpm	Weight
251 025 01	25,8	Right	220	240	222	167	G 1"	G 3/4"	2450	2500	12,5
251 025 02	25,8	Left	220	240	222	167	G 1"	G 3/4"	2450	2500	12,5
251 035 01	35,4	Right	215	235	228	170	G 1"	G 3/4"	2450	2500	13
251 035 02	35,4	Left	215	235	228	170	G 1"	G 3/4"	2450	2500	13
251 045 01	45,2	Right	200	220	234	173	G 1"	G 3/4"	2400	2500	13,5
251 045 02	45,2	Left	200	220	234	173	G 1"	G 3/4"	2400	2500	13,5

Test Pressure : 60 sec

Max Test Pressure : 5 sec. Max.

25 SERIAL. GEAR PUMP
ISO



Pos: 18 Qty: 1



Body
Code: 020 080 102
For 251 025 01/251 025 02
Code: 020 080 103
For 251 035 01/251 035 02
Code: 020 080 104
For 251 045 01/251 045 02

Pos: 23 Qty: 1



Gear
Code: 020 090 107
For 251 025 01/251 025 02
Code: 020 090 109
For 251 035 01/251 035 02
Code: 020 090 111
For 251 045 01/251 045 02

Pos: 24 Qty: 1



Gear
Code: 020 090 108
For 251 025 01/251 025 02
Code: 020 090 110
For 251 035 01/251 035 02
Code: 020 090 112
For 251 045 01/251 045 02

<p>Pos: 1 Qty: 4</p> <p>Code: 020 060 112 Bush 28*32*30</p>	<p>Pos: 2 Qty: 1</p> <p>Code: 020 100 038 Screw M10*10</p>	<p>Pos: 3 Qty: 1</p> <p>Code: 020 080 088 Cover</p>	<p>Pos: 4 Qty: 8</p> <p>Code: 020 100 030 Washer M 10</p>	<p>Pos: 5 Qty: 8</p> <p>Code: 020 100 010 Screw M10*35</p>	<p>Pos: 6 Qty: 1</p> <p>Code: 020 010 135 Circlip 471/35</p>	<p>Pos: 7 Qty: 2</p> <p>Code: 020 020 402 Bearing 32007</p>
<p>Pos: 8 Qty: 2</p> <p>Code: 020 090 017 Washer 50*60*2</p>	<p>Pos: 9 Qty: 1</p> <p>Code: 020 090 076 Washer 58*62*5</p>	<p>Pos: 10 Qty: 1</p> <p>Code: 020 090 030 Shaft</p>	<p>Pos: 11 Qty: 2</p> <p>Code: 020 040 502 Seal Mim 40*62*6</p>	<p>Pos: 12 Qty: 1</p> <p>Code: 020 010 262 Circlip 472/62</p>	<p>Pos: 13 Qty: 1</p> <p>Code: 020 110 002 Nipple 1"</p>	<p>Pos: 14 Qty: 1</p> <p>Code: 020 090 027 Filter 1"</p>
<p>Pos: 15 Qty: 1</p> <p>Code: 020 010 226 Circlip 472/26</p>	<p>Pos: 16 Qty: 1</p> <p>Code: 020 090 113 Screw 3/4"</p>	<p>Pos: 17 Qty: 1</p> <p>Code: 020 110 008 Nipple 3/4"R 1 1/16</p>	<p>Pos: 19 Qty: 1</p> <p>Code: 020 031 304 O ring 98,05*1,78</p>	<p>Pos: 20 Qty: 2</p> <p>Code: 020 031 401 M ring</p>	<p>Pos: 21 Qty: 2</p> <p>Code: 020 090 019 Plate</p>	<p>Pos: 22 Qty: 4</p> <p>Code: 020 020 106 Bearing 8*10,5</p>

W W W . S T E E L F O R M . C O M