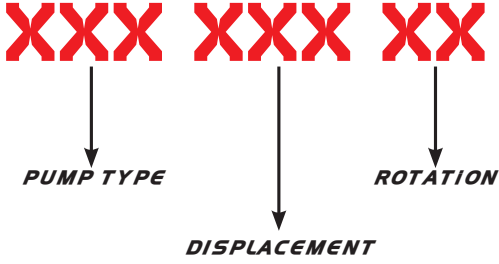
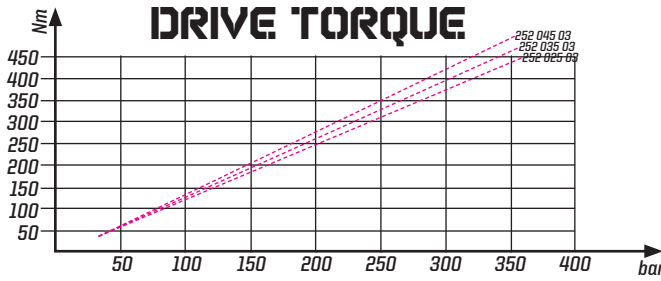
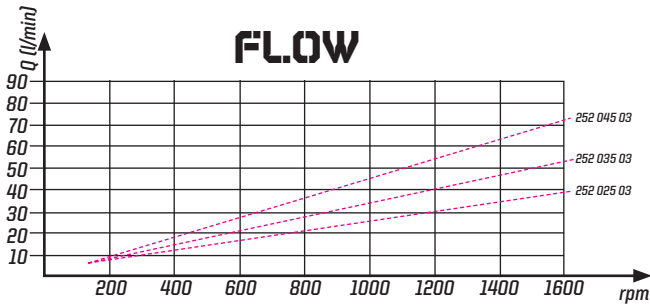


25 SERIAL GEAR PUMP
T2

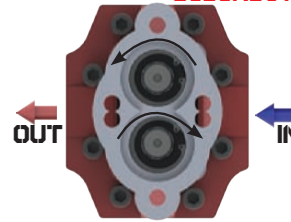


GEAR PUMPS



Fluid Temp. °C	Input Pres. Bar	Optimale K. Viscosity	Oil Filtering
0 / 100	0,3 / 1,7 bar	10 / 100 CST	> 200 bar : 25 um <200 bar : 35 um

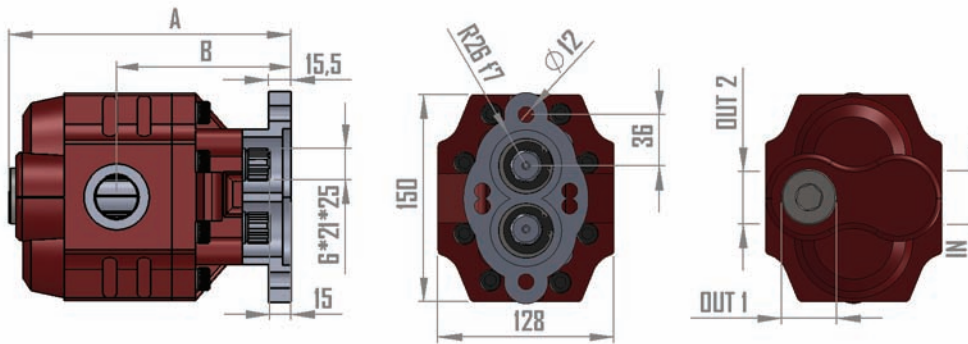
BIDIRECTIONAL PUMP



NOTE : THE ABOVE SPECIFICATIONS REFER TO OIL TYPE ISO VG 46 AT 50°

NOTE : SEE TECHNICAL PAGE TO CHANGE THE DIRECTION OF ROTATION

USED PLACED :
DUMPER TRUCKS
PRIVATE AIM WINCHES
TRACTOR LADLES



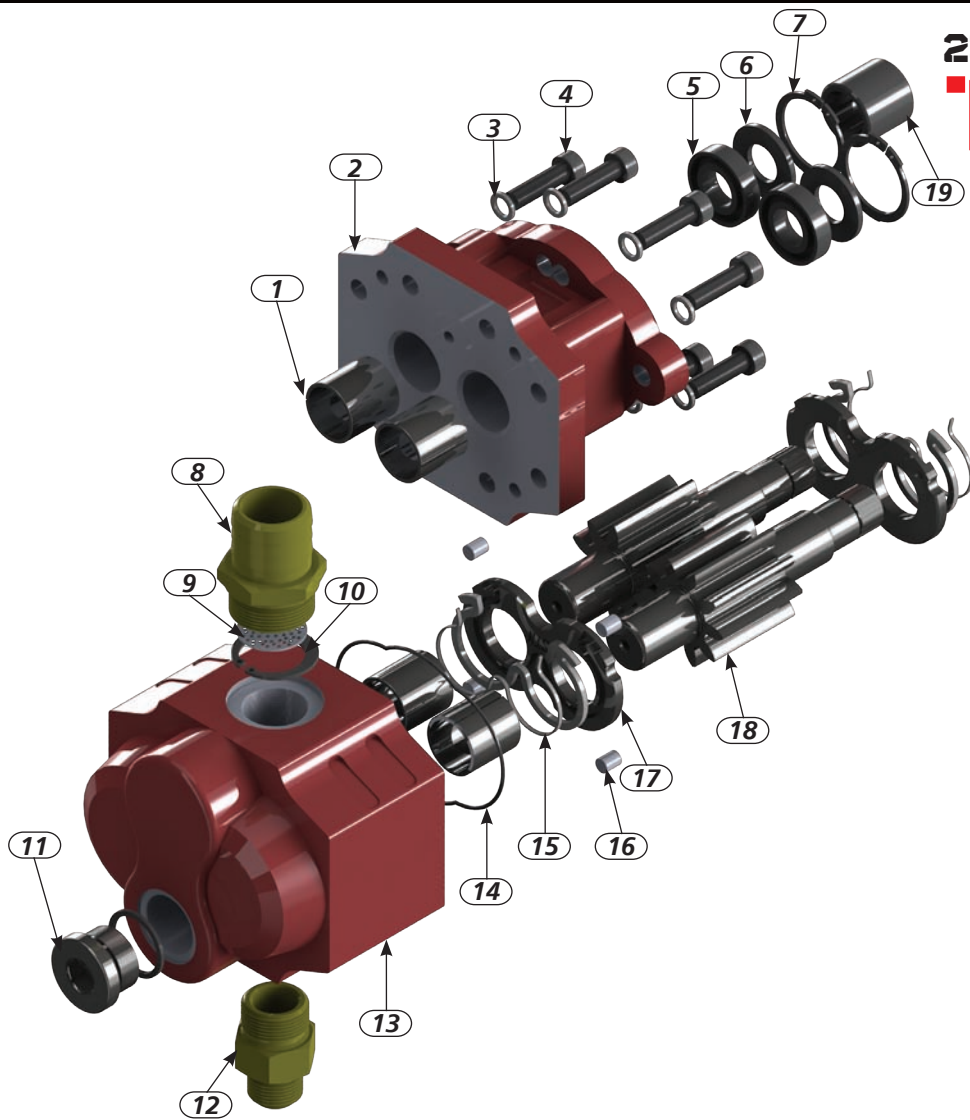
Code	Displacement cm³/1000	Rotation	Test Pressure	Max. Test Pressure	A	B	Oil Inlet	Oil Outlet	Max. Con. Speed Rpm	Max. Inter. Speed Rpm	Weight
252 025 03	25,8	Double	220	240	161	109	6 1"	6 3/4 "	2450	2500	10,5
252 035 03	35,4	Double	215	235	167	112	6 1"	6 3/4 "	2450	2500	11
252 045 03	45,2	Double	200	220	173	115	6 1"	6 3/4 "	2400	2500	11,5

Test Pressure : 60 sec

Max Test Pressure : 5 sec. Max.

www.hidroozcelik.com

25 SERIAL. GEAR PUMP
T2



Pos: 13 Qty:1



Body
Code: 020 080 102
For 252 025 03
Code: 020 080 103
For 252 035 03
Code: 020 080 104
For 252 045 03

Pos: 18 Qty:2



Gear
Code: 020 090 107
For 252 025 03
Code: 020 090 109
For 252 035 03
Code: 020 090 111
For 252 045 03

Pos: 1 Qty:4



Code: 020 060 112
Bush 28*32*30

Pos: 2 Qty:1



Code: 020 080 066
Cover

Pos: 3 Qty:8



Code: 020 100 030
Washer M 10

Pos: 4 Qty:8



Code: 020 100 010
Screw M10*35

Pos: 5 Qty:2



Code: 020 040 201
Seal Mim 25*40*8

Pos: 6 Qty:2



Code: 020 090 077
Washer 26*40*2

Pos: 7 Qty:2



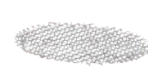
Code: 020 010 240
Circlip 472/40

Pos: 8 Qty:1



Code: 020 110 002
Nipple 1"

Pos: 9 Qty:1



Code: 020 090 027
Filter 1*1

Pos: 10 Qty:1



Code: 020 010 226
Circlip 472/26

Pos: 11 Qty:1




Code: 020 090 113
Screw 3/4"

Pos: 12 Qty:1



Code: 020 110 008
Nipple 3/4"R 1"1/16

Pos: 14 Qty:1



Code: 020 031 304
O ring 98,05*1,78

Pos: 15 Qty:2



Code: 020 031 401
M ring

Pos: 16 Qty:4



Code: 020 020 106
Bearing 8*10,5

Pos: 17 Qty:2



Code: 020 090 019
Plate

Pos: 19 Qty:1



Code: 710 606 031
Couplin 6*6

W W W . S T E E L F O R M . C O M