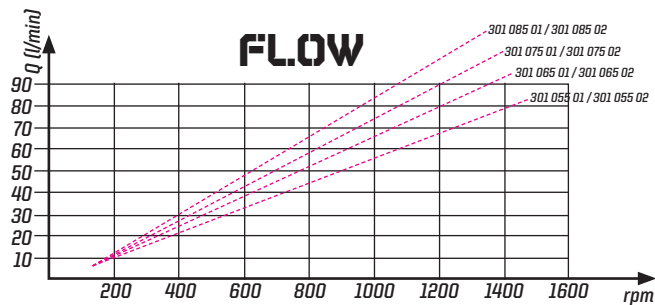
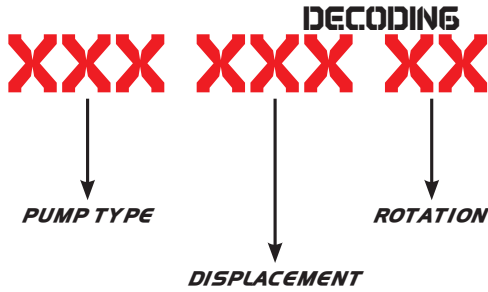
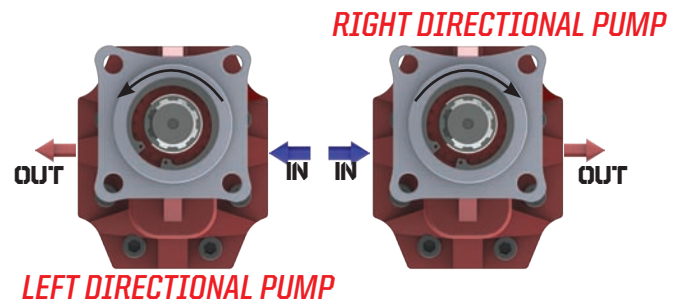
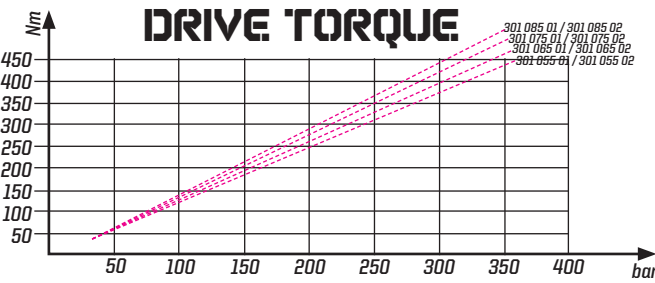


30 SERIAL. GEAR PUMP
ISO

GEAR PUMPS



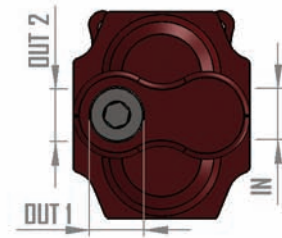
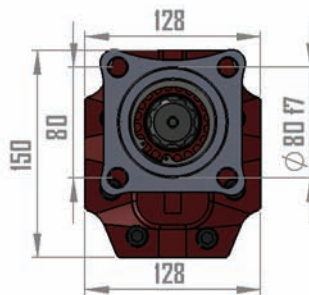
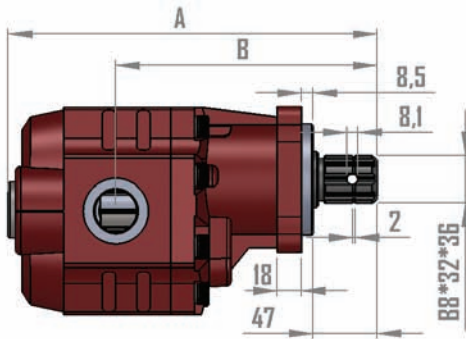
| Fluid Temp. °C | Input Pres. Bar | Optimale K. Viscosity | Oil Filtering |
|----------------|-----------------|-----------------------|--|
| 0 / 100 | 0,3 / 1,7 bar | 10 / 100 CST | > 200 bar : 25 um < 200 bar : 35 um |



NOTE : THE ABOVE SPECIFICATIONS REFER TO OIL TYPE ISO VG 46 AT 50°

NOTE : SEE TECHNICAL PAGE TO CHANGE THE DIRECTION OF ROTATION

USED PLACED :
DUMPER TRUCKS
PRIVATE AIM WINCHES
TRACTOR LADLES

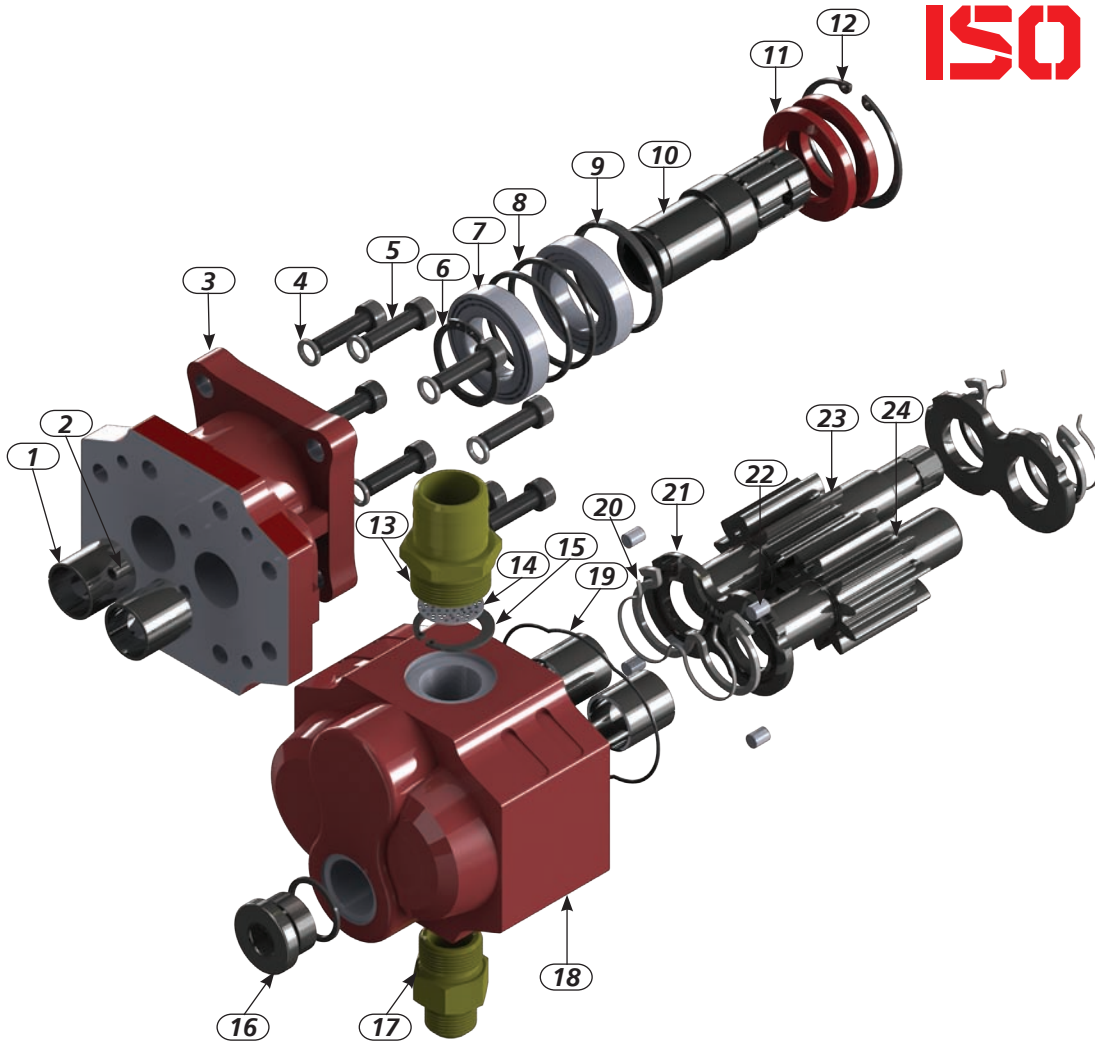


| Code | Displacement cm ³ /1000 | Rotation | Test Pressure 1 | Max. Test Pressure | A | B | Oil Inlet | Oil Outlet | Max. Con. Speed Rpm | Max. Inter. Speed Rpm | Weight |
|------------|------------------------------------|----------|-----------------|--------------------|-----|-----|-----------|------------|---------------------|-----------------------|--------|
| 301 055 01 | 55,8 | Right | 220 | 240 | 240 | 176 | G 1 1/4" | G 1" | 2500 | 3000 | 14 |
| 301 055 02 | 55,8 | Left | 220 | 240 | 240 | 176 | G 1 1/4" | G 1" | 2500 | 3000 | 14 |
| 301 065 01 | 65,4 | Right | 215 | 235 | 246 | 179 | G 1 1/4" | G 1" | 2450 | 2800 | 14,5 |
| 301 065 02 | 65,4 | Left | 215 | 235 | 246 | 179 | G 1 1/4" | G 1" | 2450 | 2800 | 14,5 |
| 301 075 01 | 75,2 | Right | 200 | 220 | 252 | 182 | G 1 1/4" | G 1" | 2150 | 2300 | 15 |
| 301 075 02 | 75,2 | Left | 200 | 220 | 252 | 182 | G 1 1/4" | G 1" | 2150 | 2300 | 15 |
| 301 085 01 | 85,1 | Right | 190 | 210 | 258 | 185 | G 1 1/4" | G 1" | 2000 | 2100 | 15,5 |
| 301 085 02 | 85,1 | Left | 190 | 210 | 258 | 185 | G 1 1/4" | G 1" | 2000 | 2100 | 15,5 |

Test Pressure : 60 sec

Max Test Pressure : 5 sec. Max.

30 SERIAL GEAR PUMP ISO



Pos: 18 Qty: 1



Body
Code: 020 080 098
For 301 055 01/301 055 02
Code: 020 080 099
For 301 065 01/301 065 02
Code: 020 080 100
For 301 075 01/301 075 02
Code: 020 080 081
For 301 085 01/301 085 02

Pos: 23 Qty: 1



Gear
Code: 020 090 101
For 301 055 01/301 055 02
Code: 020 090 103
For 301 065 01/301 065 02
Code: 020 090 105
For 301 075 01/301 075 02
Code: 020 090 074
For 301 085 01/301 085 02

Pos: 24 Qty: 1



Gear
Code: 020 090 102
For 301 055 01/301 055 02
Code: 020 090 104
For 301 065 01/301 065 02
Code: 020 090 106
For 301 075 01/301 075 02
Code: 020 090 075
For 301 085 01/301 085 02

| | | | | | | |
|---|--|--|--|---|--|---|
| <p>Pos: 1 Qty: 4</p> <p>Code: 020 060 112 Bush 28*32*30</p> | <p>Pos: 2 Qty: 1</p> <p>Code: 020 100 038 Screw M10*10</p> | <p>Pos: 3 Qty: 1</p> <p>Code: 020 080 088 Cover</p> | <p>Pos: 4 Qty: 8</p> <p>Code: 020 100 030 Washer M 10</p> | <p>Pos: 5 Qty: 8</p> <p>Code: 020 100 010 Screw M10*35</p> | <p>Pos: 6 Qty: 1</p> <p>Code: 020 010 135 Circlip 471/35</p> | <p>Pos: 7 Qty: 2</p> <p>Code: 020 020 402 Bearing 32007</p> |
| <p>Pos: 8 Qty: 2</p> <p>Code: 020 090 017 Washer 50*60*2</p> | <p>Pos: 9 Qty: 1</p> <p>Code: 020 090 076 Washer 50*62*5</p> | <p>Pos: 10 Qty: 1</p> <p>Code: 020 090 030 Shaft</p> | <p>Pos: 11 Qty: 2</p> <p>Code: 020 040 502 Seal Mim 40*62*6</p> | <p>Pos: 12 Qty: 1</p> <p>Code: 020 010 262 Circlip 472/62</p> | <p>Pos: 13 Qty: 1</p> <p>Code: 020 110 007 Nipple 1*1/4</p> | <p>Pos: 14 Qty: 1</p> <p>Code: 020 090 027 Filter 1*1</p> |
| <p>Pos: 15 Qty: 1</p> <p>Code: 020 010 235 Circlip 472/35</p> | <p>Pos: 16 Qty: 1</p> <p>Code: 020 090 073 Screw 1"</p> | <p>Pos: 17 Qty: 1</p> <p>Code: 020 110 006 Nipple 1*R 1*1/16</p> | <p>Pos: 19 Qty: 1</p> <p>Code: 020 031 304 O ring 98,05*1,78</p> | <p>Pos: 20 Qty: 2</p> <p>Code: 020 031 401 M ring</p> | <p>Pos: 21 Qty: 2</p> <p>Code: 020 090 019 Plate</p> | <p>Pos: 22 Qty: 4</p> <p>Code: 020 020 106 Bearing 8*10,5</p> |

www.steelcom.com