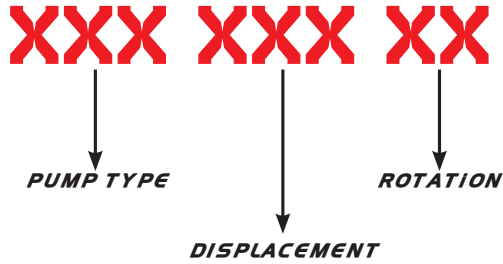
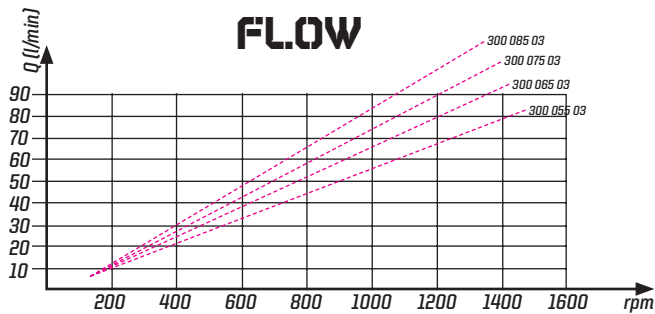


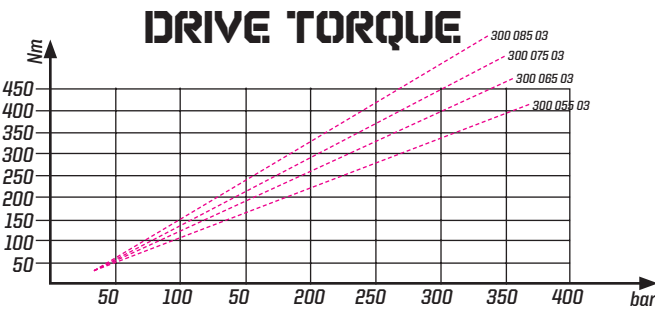
30 SERIAL GEAR PUMP
T2



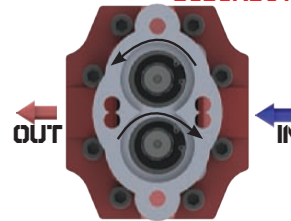
GEAR PUMPS



Fluid Temp. °C	Input Pres. Bar	Optimale K. Viscosity	Oil Filtering
0 / 100	0,3 / 1,7 bar	10 / 100 CST	> 200 bar : 25 um < 200 bar : 35 um



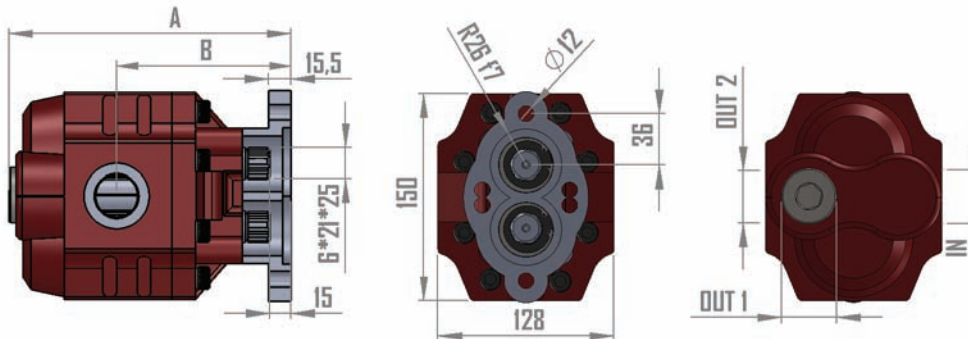
BIDIRECTIONAL PUMP



NOTE : THE ABOVE SPECIFICATIONS REFER TO OIL TYPE ISO VG 46 AT 50°

NOTE : SEE TECHNICAL PAGE TO CHANGE THE DIRECTION OF ROTATION

USED PLACED :
DUMPER TRUCKS
PRIVATE AIM WINCHES
TRACTOR LADLES



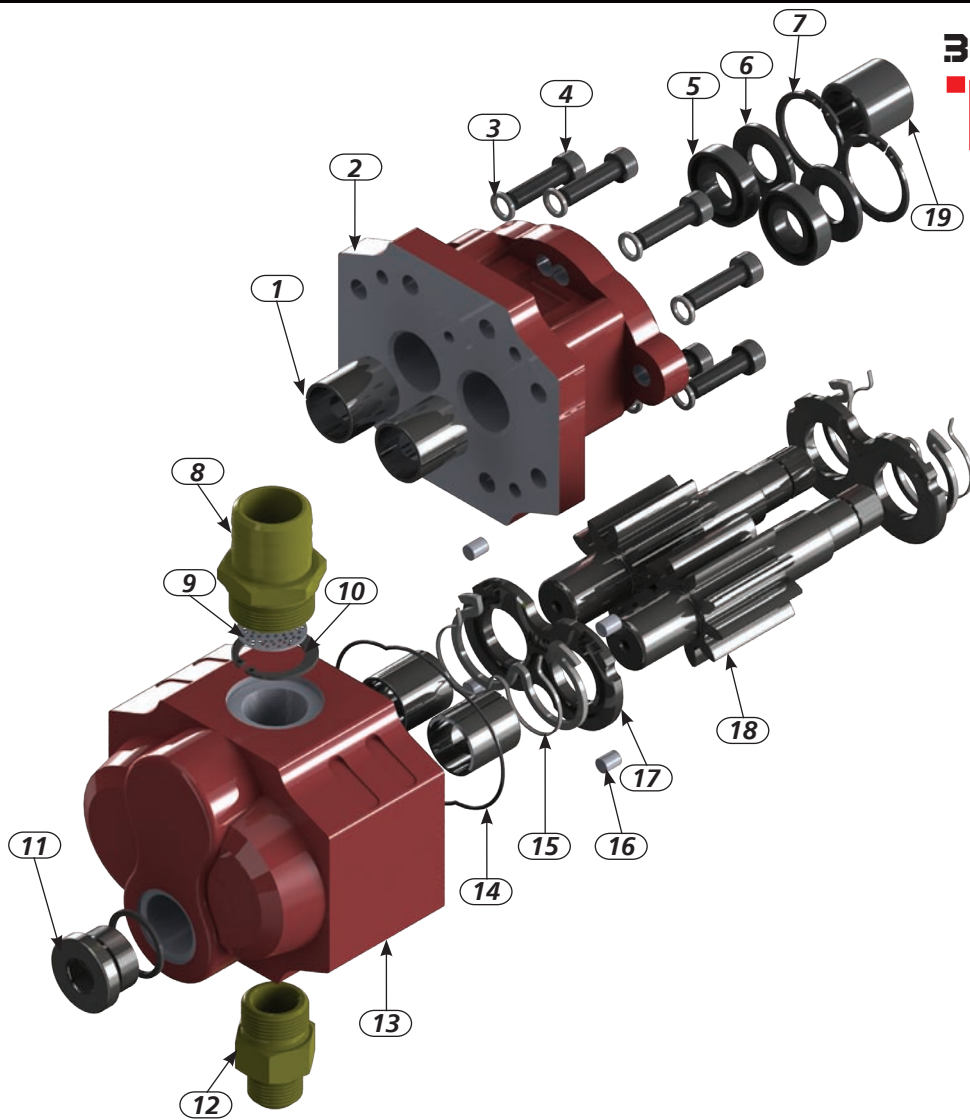
Code	Displacement cm ³ /1000	Rotation	Test Pressure	Max. Test Pressure	A	B	Oil Inlet	Oil Outlet	Max. Con. Speed Rpm	Max. Inter. Speed Rpm	Weight
302 055 03	55,8	Double	220	240	179	118	G 1" 1/4"	G 1"	2500	3000	12
302 065 03	65,4	Double	215	235	185	121	G 1" 1/4"	G 1"	2450	2850	12,5
302 075 03	75,2	Double	200	220	191	124	G 1" 1/4"	G 1"	2400	2800	13
302 085 03	85,1	Double	200	220	197	127	G 1" 1/4"	G 1"	2400	2800	13,5

Test Pressure : 60 sec

Max Test Pressure : 5 sec. Max.

www.hidroozcelik.com

30 SERIAL. GEAR PUMP
T2



Pos: 13 Qty: 1



Body

Code: 020 080 098
For 302 055 03
Code: 020 080 099
For 302 065 03
Code: 020 080 100
For 302 075 03
Code: 020 080 081
For 302 085 03

Pos: 18 Qty: 2



Gear

Code: 020 090 101
For 302 055 03
Code: 020 090 103
For 302 065 03
Code: 020 090 105
For 302 075 03
Code: 020 090 074
For 302 085 03

Pos: 1 Qty: 4



Code: 020 060 112
Bush 28*32*30

Pos: 2 Qty: 1



Code: 020 080 066
Cover

Pos: 3 Qty: 8



Code: 020 100 030
Washer M 10

Pos: 4 Qty: 8




Code: 020 100 010
Screw M10*35

Pos: 5 Qty: 2




Code: 020 040 201
Seal Mim 25*40*8

Pos: 6 Qty: 2



Code: 020 090 077
Washer 26*40*2

Pos: 7 Qty: 2



Code: 020 010 240
Circlip 472/40

Pos: 8 Qty: 1



Code: 020 110 007
Nipple 1" 1/4

Pos: 9 Qty: 1



Code: 020 090 027
Filter 1*1

Pos: 10 Qty: 1



Code: 020 010 235
Circlip 472/35

Pos: 11 Qty: 1




Code: 020 090 073
Screw 1"

Pos: 12 Qty: 1




Code: 020 110 006
Nipple 1"R 1"1/16

Pos: 14 Qty: 1



Code: 020 031 304
O ring 98,05*1,78

Pos: 15 Qty: 2



Code: 020 031 401
M ring

Pos: 16 Qty: 4




Code: 020 020 106
Baring 8*10,5

Pos: 17 Qty: 2



Code: 020 090 019
Plate

Pos: 19 Qty: 1



Code: 710 606 031
Couplin 6*6

www.steelform.com