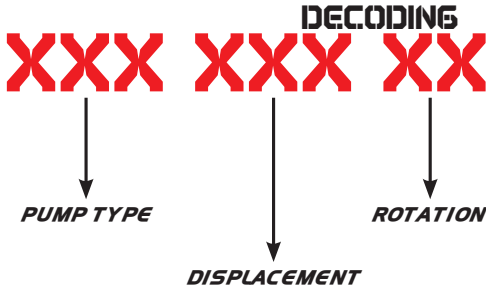
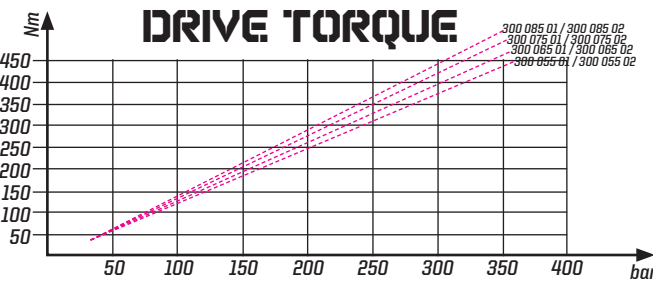
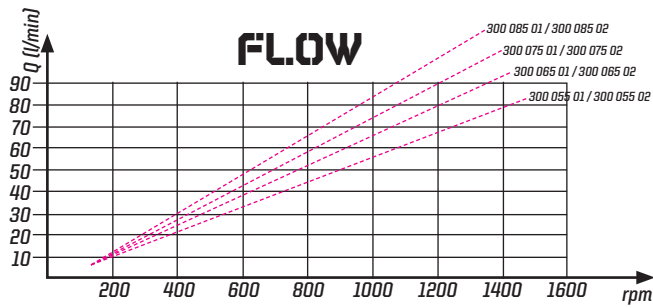




# 30 SERIAL. GEAR PUMP UNI

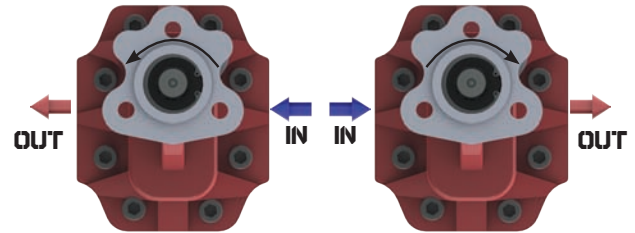


GEAR PUMPS



Fluid Temp. °C	Input Pres. Bar	Optimale K. Viscosity	Oil Filtering
0 / 100	0,3 / 1,7 bar	10 / 100 CST	> 200 bar : 25 um < 200 bar : 35 um

**RIGHT DIRECTIONAL PUMP**

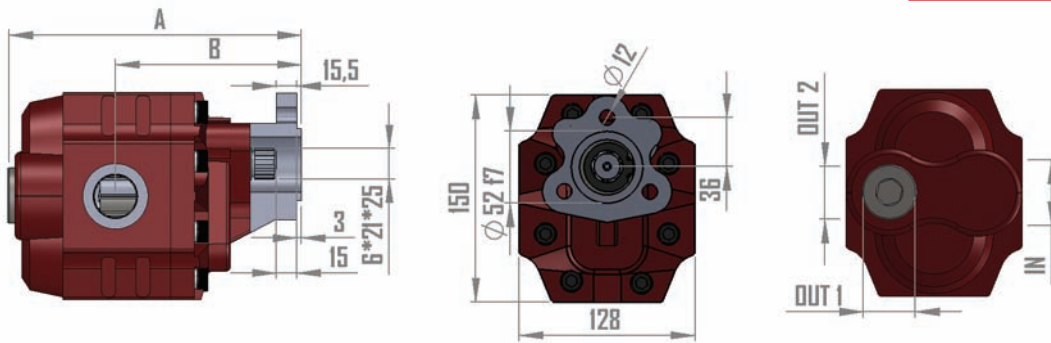


**LEFT DIRECTIONAL PUMP**

**USED PLACED :**  
DUMPER TRUCKS  
PRIVATE AIM WINCHES  
TRACTOR LADLES

**NOTE :** THE ABOVE SPECIFICATIONS REFER TO OIL TYPE ISO VG 46 AT 50°

**NOTE :** SEE TECHNICAL PAGE TO CHANGE THE DIRECTION OF ROTATION



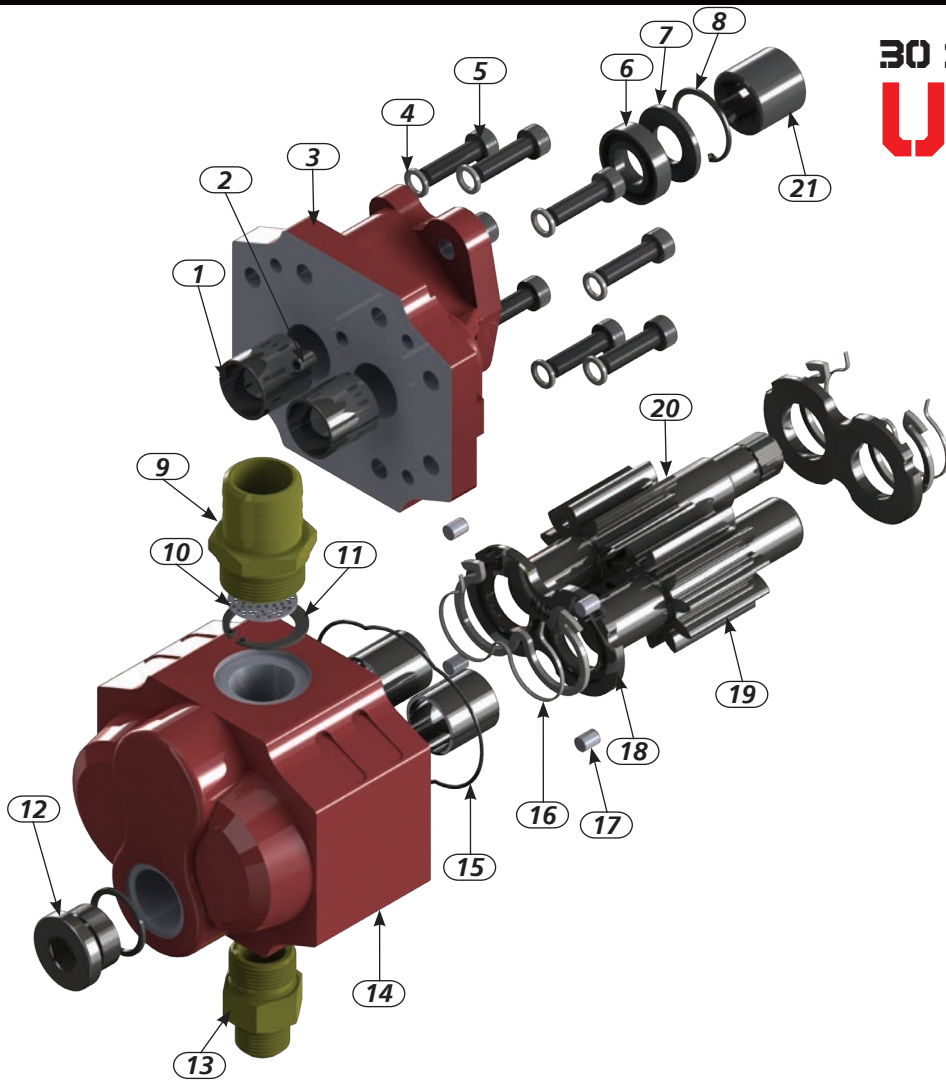
Code	Displacement cm³/1000	Rotation	Test Pressure 1	Max. Test Pressure	A	B	Oil Inlet	Oil Outlet	Max. Con. Speed Rpm	Max. Inter. Speed Rpm	Weight
300 055 01	55,8	Right	220	240	176	118	G 1 1/4"	G 1"	2500	3000	11,5
300 055 02	55,8	Left	220	240	176	118	G 1 1/4"	G 1"	2500	3000	11,5
300 065 01	65,4	Right	215	235	182	121	G 1 1/4"	G 1"	2450	2800	12
300 065 02	65,4	Left	215	235	182	121	G 1 1/4"	G 1"	2450	2800	12
300 075 01	75,2	Right	200	220	200	124	G 1 1/4"	G 1"	2150	2300	12,5
300 075 02	75,2	Left	200	220	200	124	G 1 1/4"	G 1"	2150	2300	12,5
300 085 01	85,1	Right	190	210	206	127	G 1 1/4"	G 1"	2000	2100	13
300 085 02	85,1	Left	190	210	206	127	G 1 1/4"	G 1"	2000	2100	13

Test Pressure : 60 sec

Max Test Pressure : 5 sec. Max.

www.hidroozcelik.com

## 30 SERIAL GEAR PUMP UNI



Pos: 14 Qty: 1



**Body**  
Code: 020 080 099  
For 300 055 01/300 055 02  
Code: 020 080 099  
For 300 065 01/300 065 02  
Code: 020 080 100  
For 300 075 01/300 075 02  
Code: 020 080 081  
For 300 085 01/300 085 02

Pos: 20 Qty: 1



**Gear**  
Code: 020 090 101  
For 300 055 01/300 055 02  
Code: 020 090 103  
For 300 065 01/300 065 02  
Code: 020 090 105  
For 300 075 01/300 075 02  
Code: 020 090 074  
For 300 085 01/300 085 02

Pos: 19 Qty: 1



**Gear**  
Code: 020 090 102  
For 300 055 01/300 055 02  
Code: 020 090 104  
For 300 065 01/300 065 02  
Code: 020 090 106  
For 300 075 01/300 075 02  
Code: 020 090 075  
For 300 085 01/300 085 02

<p>Pos: 1 Qty: 4</p> <p>Code: 020 060 112 Bush 28*32*30</p>	<p>Pos: 2 Qty: 1</p> <p>Code: 020 100 038 Screw 10*10</p>	<p>Pos: 3 Qty: 1</p> <p>Code: 020 080 070 Cover</p>	<p>Pos: 4 Qty: 8</p> <p>Code: 020 100 030 Washer M 10</p>	<p>Pos: 5 Qty: 8</p> <p>Code: 020 100 010 Screw M10*35</p>	<p>Pos: 6 Qty: 1</p> <p>Code: 020 040 201 Seal Mim 25*40*8</p>	<p>Pos: 7 Qty: 1</p> <p>Code: 020 090 077 Washer 26*40*2</p>
<p>Pos: 8 Qty: 1</p> <p>Code: 020 010 240 Circlip 472/40</p>	<p>Pos: 9 Qty: 1</p> <p>Code: 020 110 007 Nipple 1" 1/4</p>	<p>Pos: 10 Qty: 1</p> <p>Code: 020 090 027 Filter 1*1</p>	<p>Pos: 11 Qty: 1</p> <p>Code: 020 010 235 Circlip 472/35</p>	<p>Pos: 12 Qty: 1</p> <p>Code: 020 090 073 Screw 1"</p>	<p>Pos: 13 Qty: 1</p> <p>Code: 020 110 006 Nipple 1" R 1" 1/16</p>	<p>Pos: 15 Qty: 1</p> <p>Code: 020 031 304 O ring 98,05*1,78</p>
<p>Pos: 16 Qty: 2</p> <p>Code: 020 031 401 M ring</p>	<p>Pos: 17 Qty: 4</p> <p>Code: 020 020 106 Bearing 8*10,5</p>	<p>Pos: 18 Qty: 2</p> <p>Code: 020 090 019 Plate</p>	<p>Pos: 21 Qty: 1</p> <p>Code: 710 606 031 Couplin 6*6</p>			