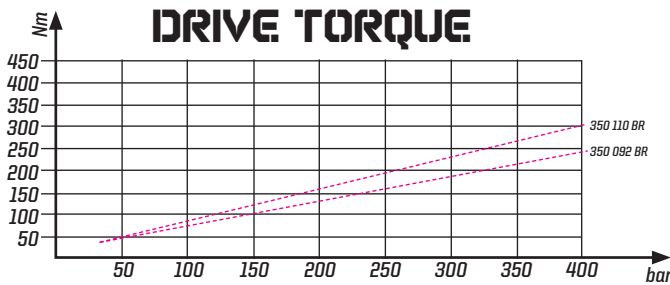
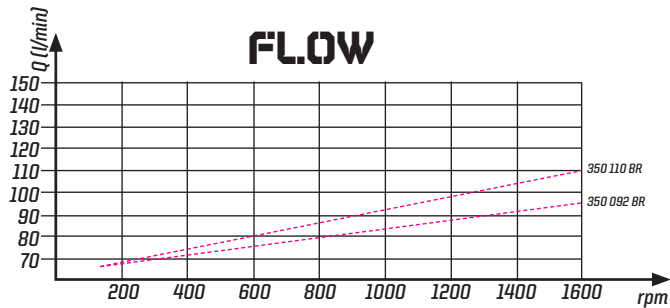
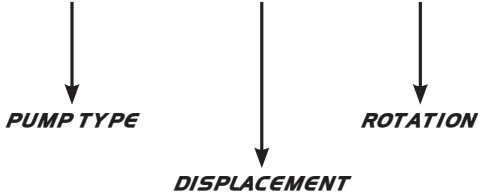


**3S SERIAL. GEAR PUMP**

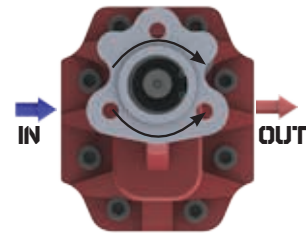
**UNI**

**XXX BI-ROTATIONAL XXX XX**



Fluid Temp. °C	Input Pres. Bar	Optimale K. Viscosity	Oil Filtering
0 / 100	0,3 / 1,7 bar	10 / 100 CST	> 200 bar : 25 um <200 bar : 35 um

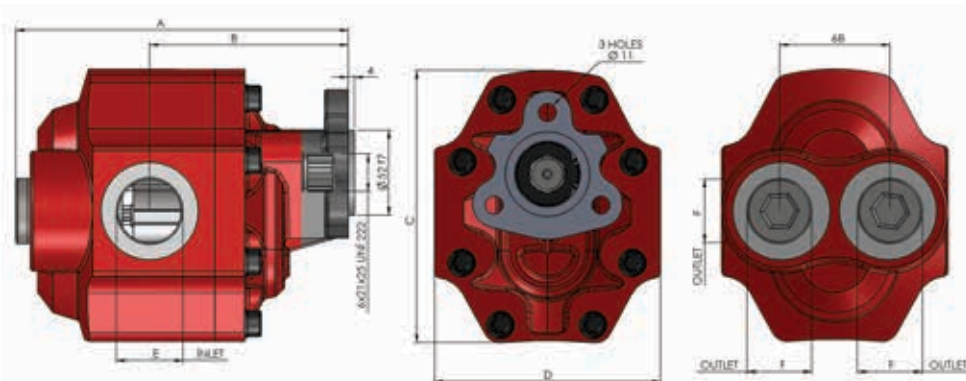
**BI-ROTATIONAL PUMP**



**NOTE : THE ABOVE SPECIFICATIONS REFER TO OIL TYPE ISO VG 46 AT 50°**

**NOTE : SEE TECHNICAL PAGE TO CHANGE THE DIRECTION OF ROTATION**

**USED PLACED :**  
DUMPER TRUCKS  
PRIVATE AIM WINCHES  
TRACTOR LADLES



Code	Displacement cm³/1000	Rotation	Working Pressure	A mm	B mm	C mm	D mm	E Inlet	F Outlet	Weight
350 092 BR	92	BI-ROTATIONAL	260	192	126	172	130	1" 1/4 G	1" 1/4 G	16.5
350 110 BR	110	BI-ROTATIONAL	220							

www.hidroozcelik.com