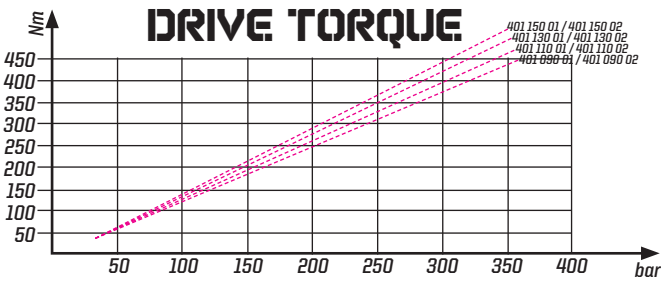
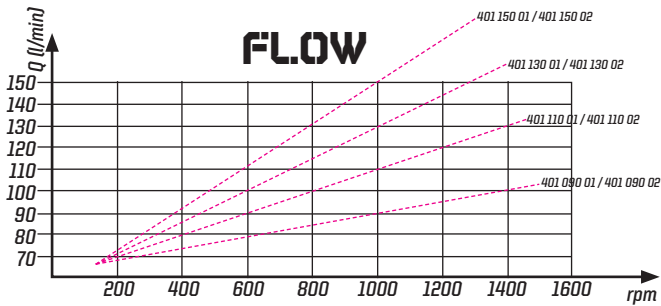
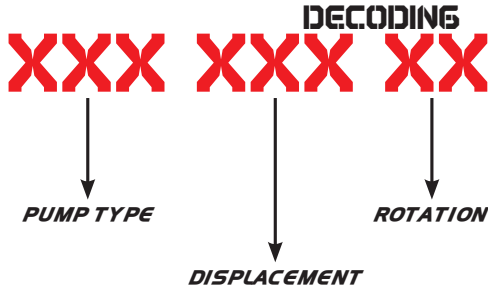
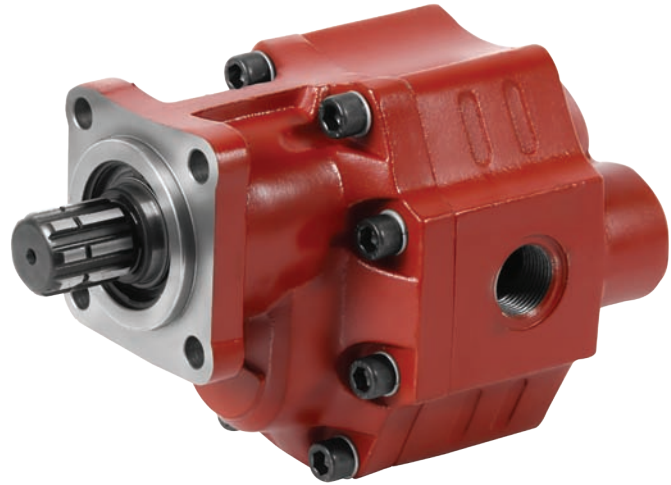


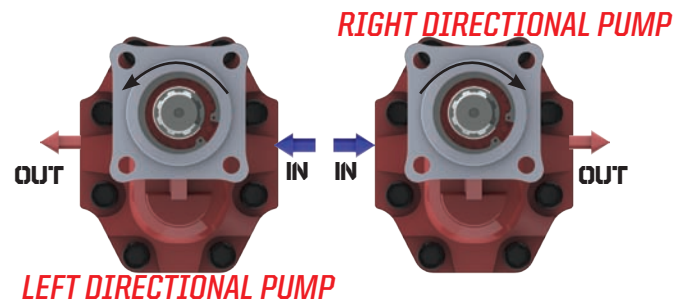


40 SERIAL. GEAR PUMP ISO

GEAR PUMPS



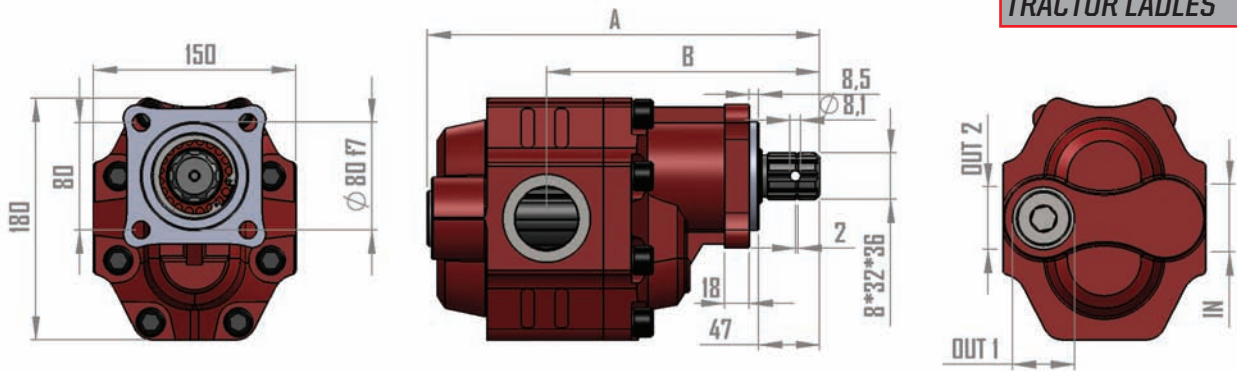
Fluid Temp. °C	Input Pres. Bar	Optimale K. Viscosity	Oil Filtering
0 / 100	0,3 / 1,7 bar	10 / 100 CST	> 200 bar : 25 um <200 bar : 35 um



NOTE : THE ABOVE SPECIFICATIONS REFER TO OIL TYPE ISO VG 46 AT 50°

NOTE : SEE TECHNICAL PAGE TO CHANGE THE DIRECTION OF ROTATION

USED PLACED :
DUMPER TRUCKS
PRIVATE AIM WINCHES
TRACTOR LADLES



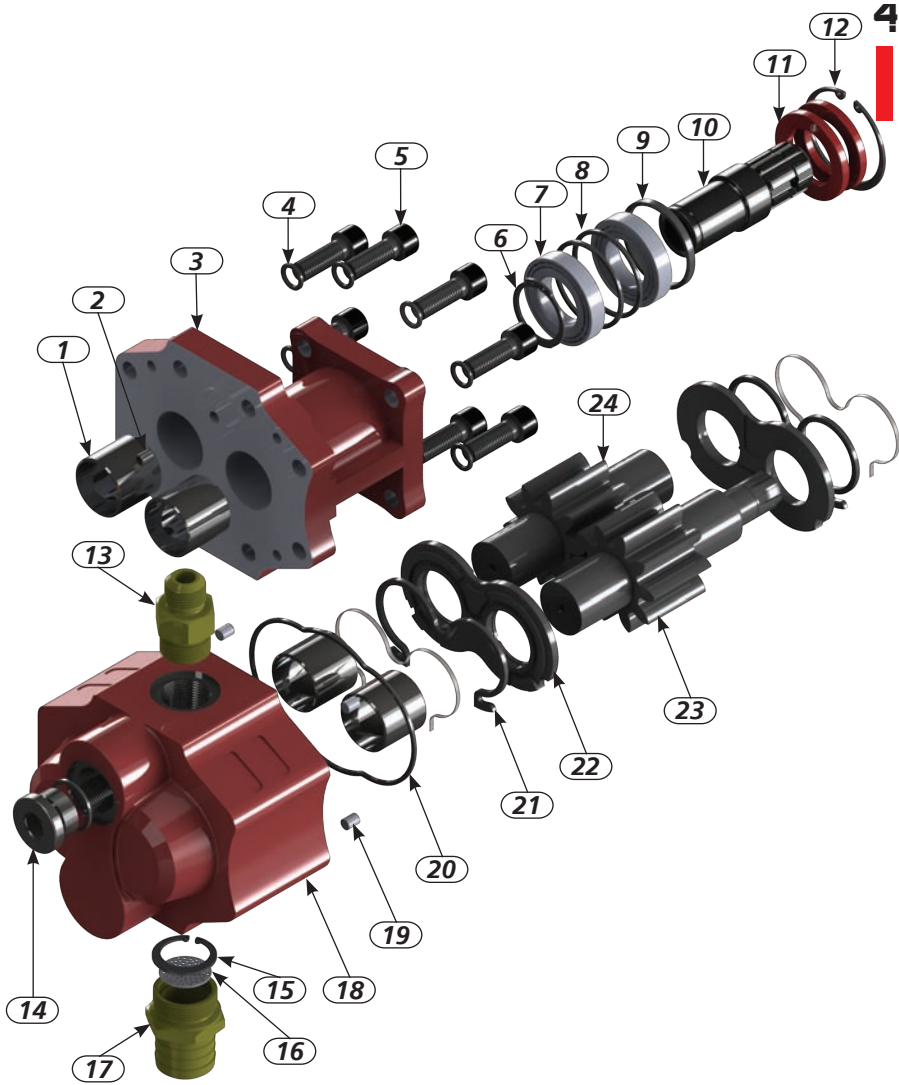
Code	Displacement cm ³ /1000	Rotation	Test Pressure	Max. Test Pressure	A	B	Oil Inlet	Oil Outlet	Max. Con. Speed Rpm	Max. Inter. Speed Rpm	Weight
401 090 01	90,5	Right	220	240	272	201	6 11/4"	6 1"	2500	3000	21
401 090 02	90,5	Left	220	240	272	201	6 11/4"	6 1"	2500	3000	21
401 110 01	110,5	Right	215	235	278	204	6 11/4"	6 1"	2450	2800	22
401 110 02	110,5	Left	215	235	278	204	6 11/4"	6 1"	2450	2800	22
401 130 01	130,5	Right	200	235	284	207	6 11/4"	6 1"	2150	2300	23
401 130 02	130,5	Left	200	220	284	207	6 11/4"	6 1"	2150	2300	23
401 150 01	149	Right	190	220	290	210	6 1 1/2"	6 1"	2000	2100	24
401 150 02	149	Left	190	220	290	210	6 1 1/2"	6 1"	2000	2100	24

Test Pressure : 60 sec

Max Test Pressure : 5 sec. Max.

40 SERIAL GEAR PUMP

ISO



Pos: 18 Qty: 1



Body
Code: 020 080 105
For 401 090 01/401 090 02
Code: 020 080 033
For 401 110 01/401 110 02
Code: 020 080 106
For 401 130 01/401 130 02
Code: 020 080 107
For 401 150 01/401 150 02

Pos: 23 Qty: 1



Gear
Code: 020 090 114
For 401 090 01/401 090 02
Code: 020 090 078
For 401 110 01/401 110 02
Code: 020 090 116
For 401 130 01/401 130 02
Code: 020 090 118
For 401 150 01/401 150 02

Pos: 24 Qty: 1



Gear
Code: 020 090 115
For 401 090 01/401 090 02
Code: 020 090 079
For 401 110 01/401 110 02
Code: 020 090 117
For 401 130 01/401 130 02
Code: 020 090 119
For 401 150 01/401 150 02

<p>Pos: 1 Qty: 4</p> <p>Code: 020 060 106 Bush 38*42*38</p>	<p>Pos: 2 Qty: 1</p> <p>Code: 020 100 038 Screw M10*10</p>	<p>Pos: 3 Qty: 1</p> <p>Code: 020 080 034 Cover</p>	<p>Pos: 4 Qty: 8</p> <p>Code: 020 100 039 Washer M 12</p>	<p>Pos: 5 Qty: 8</p> <p>Code: 020 100 041 Screw M12*40</p>	<p>Pos: 6 Qty: 1</p> <p>Code: 020 010 135 Circlip 471/35</p>	<p>Pos: 7 Qty: 2</p> <p>Code: 020 020 402 Bearing 32007</p>
<p>Pos: 8 Qty: 2</p> <p>Code: 020 090 017 Washer 50*60*2</p>	<p>Pos: 9 Qty: 1</p> <p>Code: 020 090 076 Washer 50*62*5</p>	<p>Pos: 10 Qty: 1</p> <p>Code: 020 090 030 Shaft</p>	<p>Pos: 11 Qty: 2</p> <p>Code: 020 040 502 Seal Mim 40*62*6</p>	<p>Pos: 12 Qty: 1</p> <p>Code: 020 010 262 Circlip 472/62</p>	<p>Pos: 13 Qty: 1</p> <p>Code: 020 110 006 Nipple 1"R 1 1/16</p>	<p>Pos: 14 Qty: 1</p> <p>Code: 020 090 080 Screw 1"</p>
<p>Pos: 15 Qty: 1</p> <p>Code: 020 010 235 Circlip 472/35</p>	<p>Pos: 16 Qty: 1</p> <p>Code: 020 090 027 Filter 1*1</p>	<p>Pos: 17 Qty: 1</p> <p>Code: 020 110 007 Nipple 1"1/4</p>	<p>Pos: 19 Qty: 4</p> <p>Code: 020 020 106 Bearing 8*10,5</p>	<p>Pos: 20 Qty: 1</p> <p>Code: 020 031 305 O ring 126,67*2,62</p>	<p>Pos: 21 Qty: 2</p> <p>Code: 020 031 402 M ring</p>	<p>Pos: 22 Qty: 2</p> <p>Code: 020 090 016 Plate</p>