



40 SERIAL. GEAR PUMP MECHANIC CONTROL.

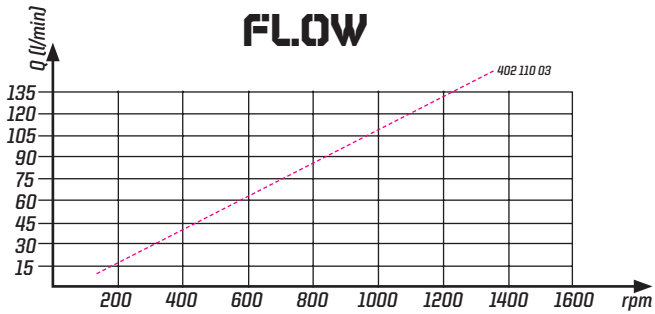
402 110 03

PUMP TYPE

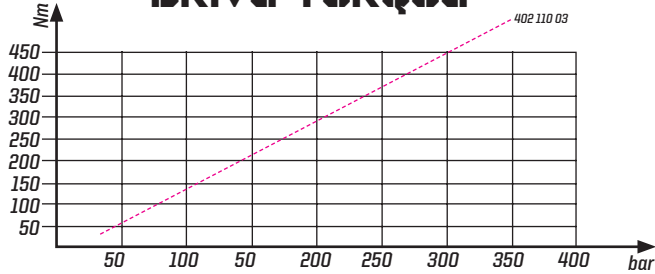
DISPLACEMENT

ROTATION

FLOW



DRIVE TORQUE

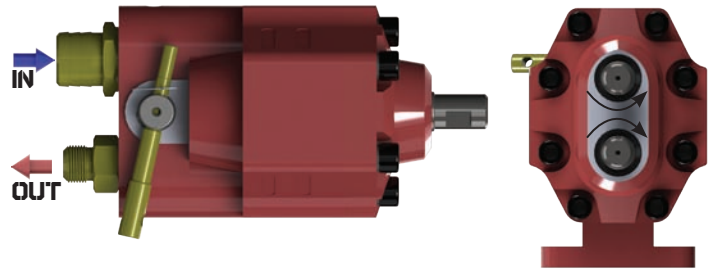


NOTE : THE ABOVE SPECIFICATIONS REFER TO OIL TYPE ISO VG 46 AT 50°

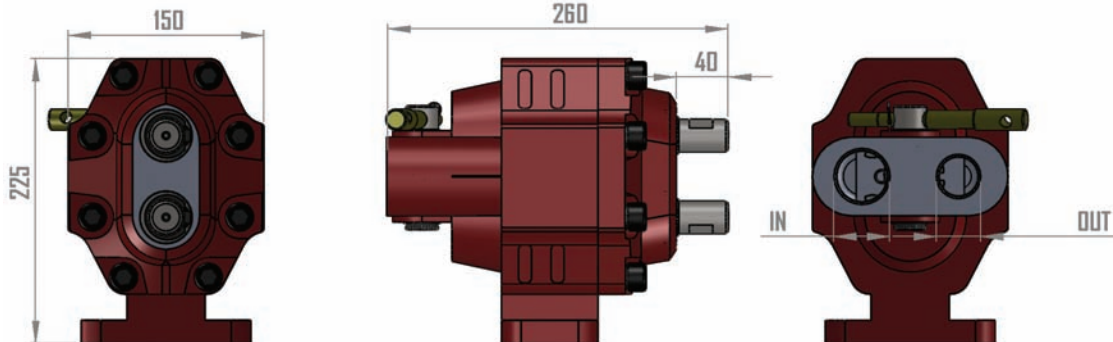


Fluid Temp. °C	Input Pres. Bar	Optimale K. Viscosity	Oil Filtering
0 / 100	0,3 / 1,7 bar	10 / 100 CST	> 200 bar : 25 um < 200 bar : 35 um

BIDIRECTIONAL PUMP



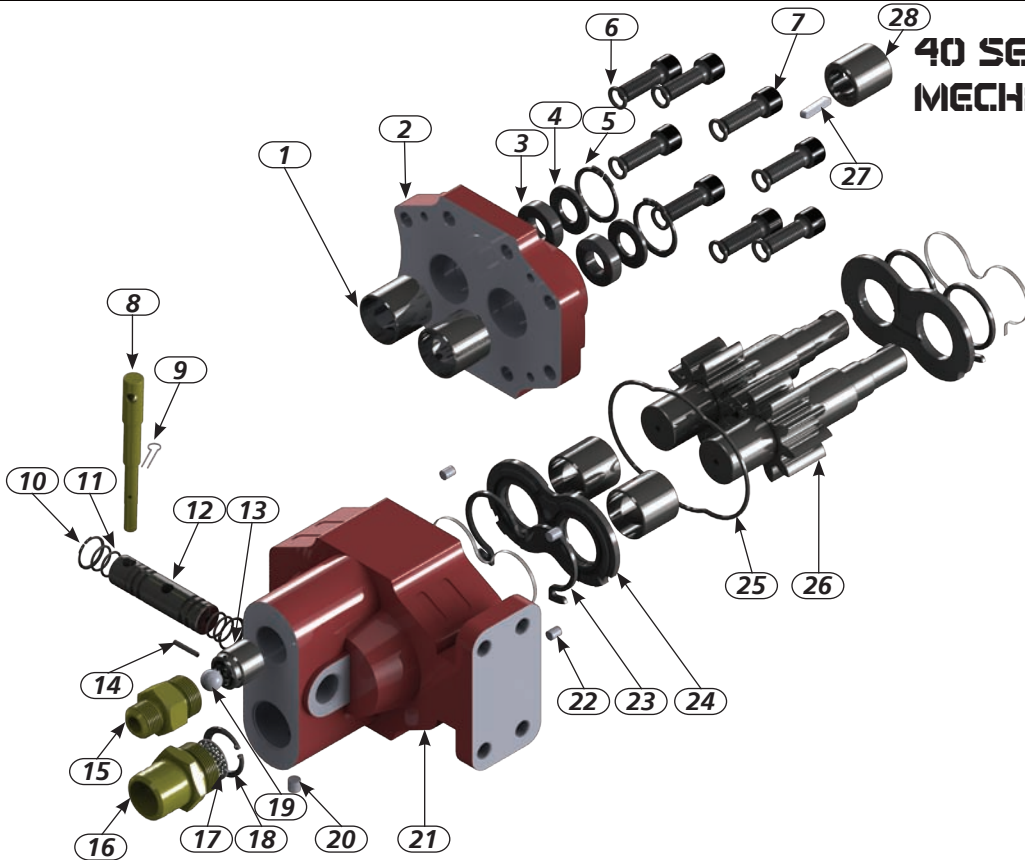
USED PLACED :
DUMPER TRUCKS
PRIVATE AIM WINCHES
TRACTOR LADLES



Code	Displacement cm³/1000	Rotation	Test Pressure	Max. Test Pressure	Oil Inlet	Oil Outlet	Max. Con. Speed Rpm	Max. Inter. Speed Rpm	Weight
402 110 03	110,5	Double	215	235	6 1/4"	6 1"	2000	2100	23

Test Pressure : 60 sec Max Test Pressure : 5 sec. Max.

40 SERIAL GEAR PUMP
MECHANIC CONTROL.



<p>Pos: 1 Qty:4</p>  <p>Code: 020 060 106 Bush 38*42*38</p>	<p>Pos: 2 Qty:1</p>  <p>Code: 020 080 073 Cover</p>	<p>Pos: 3 Qty:2</p>  <p>Code: 020 040 207 Seal Mim 28*42*7</p>	<p>Pos: 4 Qty:2</p>  <p>Code: 020 090 100 Washer 29*42*2</p>	<p>Pos: 5 Qty:2</p>  <p>Code: 020 010 242 Circlip 472/42</p>	<p>Pos: 6 Qty:8</p>  <p>Code: 020 100 039 Washen M12</p>	<p>Pos: 7 Qty:8</p>  <p>Code: 020 100 041 Screw M12*40</p>
<p>Pos: 8 Qty:1</p>  <p>Code: 020 090 082 Rot</p>	<p>Pos: 9 Qty:1</p>  <p>Code: 020 090 120 Circlip</p>	<p>Pos: 10 Qty:2</p>  <p>Code: 020 010 125 Circlip 471/25</p>	<p>Pos: 11 Qty:4</p>  <p>Code: 020 030 202 O ring 20*3</p>	<p>Pos: 12 Qty:1</p>  <p>Code: 020 090 081 Shaft</p>	<p>Pos: 13 Qty:1</p>  <p>Code: 020 090 099 Valve</p>	<p>Pos: 14 Qty:1</p>  <p>Code: 020 090 098 Pim</p>
<p>Pos: 15 Qty:1</p>  <p>Code: 020 110 006 Nipple1"R 1"1/16</p>	<p>Pos: 16 Qty:1</p>  <p>Code: 020 110 007 Nipple1" 1/4</p>	<p>Pos: 17 Qty:1</p>  <p>Code: 020 090 027 Filter 1*1</p>	<p>Pos: 18 Qty:1</p>  <p>Code: 020 010 235 Circlip 472/35</p>	<p>Pos: 19 Qty:1</p>  <p>Code: 020 020 104 Bearing</p>	<p>Pos: 20 Qty:2</p>  <p>Code: 020 100 044 Screw</p>	<p>Pos: 21 Qty:1</p>  <p>Code: 020 080 068 Body</p>
<p>Pos: 22 Qty:4</p>  <p>Code: 020 020 106 Bearing 8*10,5</p>	<p>Pos: 23 Qty:2</p>  <p>Code: 020 031 402 M ring</p>	<p>Pos: 24 Qty:2</p>  <p>Code: 020 090 016 Plate</p>	<p>Pos: 25 Qty:1</p>  <p>Code: 020 031 305 O ring 126,67*2,62</p>	<p>Pos: 26 Qty:2</p>  <p>Code: 020 090 083 Gear</p>	<p>Pos: 27 Qty:1</p>  <p>Code: 020 090 121 Kama</p>	<p>Pos: 28 Qty:1</p>  <p>Code: 020 090 122 Couplin</p>