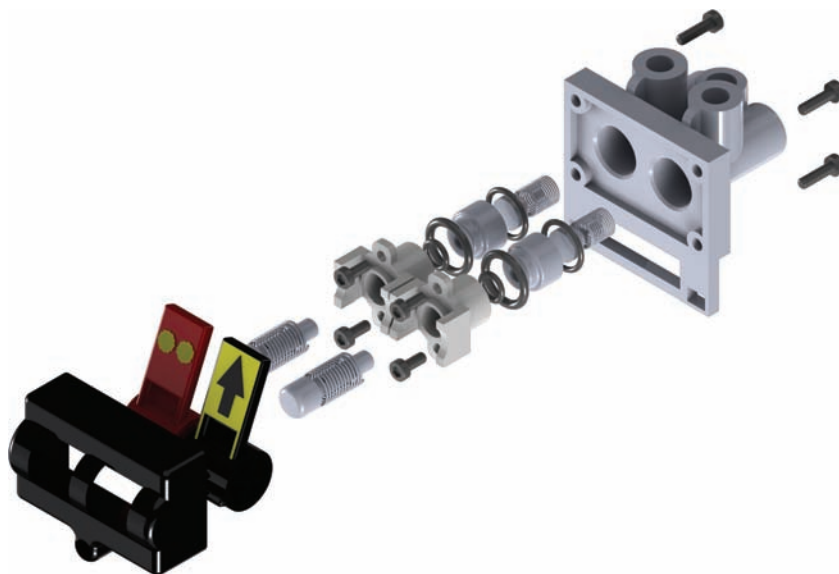
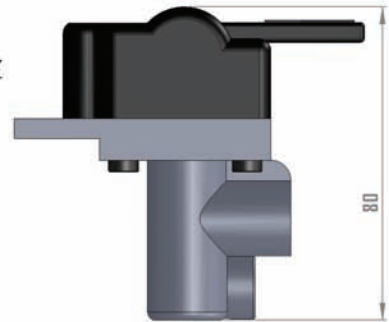
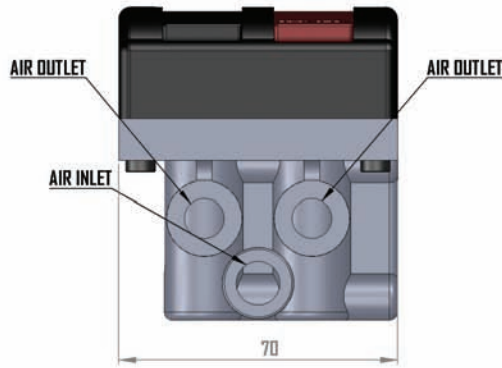
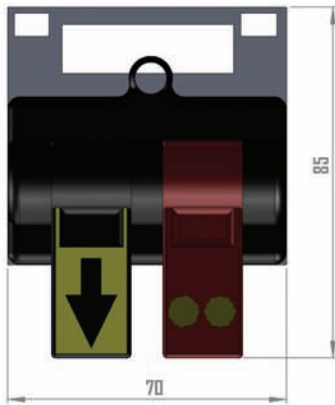




**Code: 700 002 111**  
**DUMPER CONTROL. SWICH 2 WAY**

**700 002 111**

↓  
**GROUP**      ↓  
**MODEL**      ↓  
**EQUIPMENT**



Code	Air Inlet	Air Outlet 1	Air Outlet 2	Control	Input Working Bar	Weight Kg
700 002 111	1/4"	1/4"	1/4"	Pneumatic	7/12	0,4

Test: 60 Sec.

SPARE PARTS

www.hidroozcelik.com