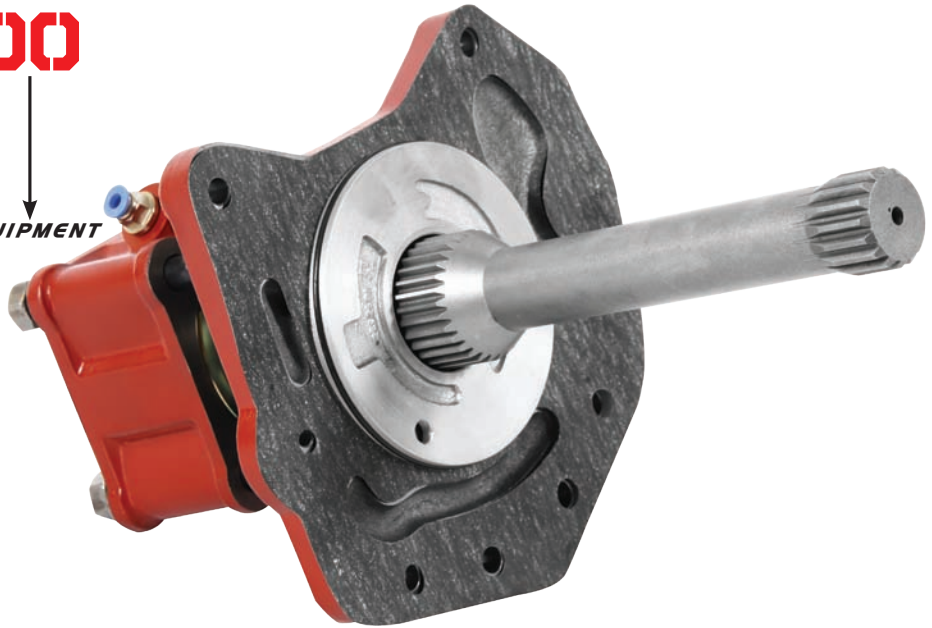
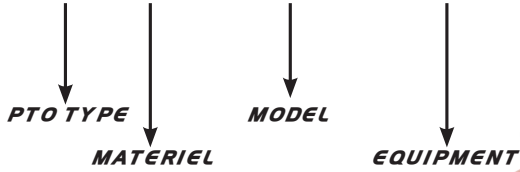




**Code: 500 025 00**  
**POWER TAKE OFF ACTROS B CASTING**

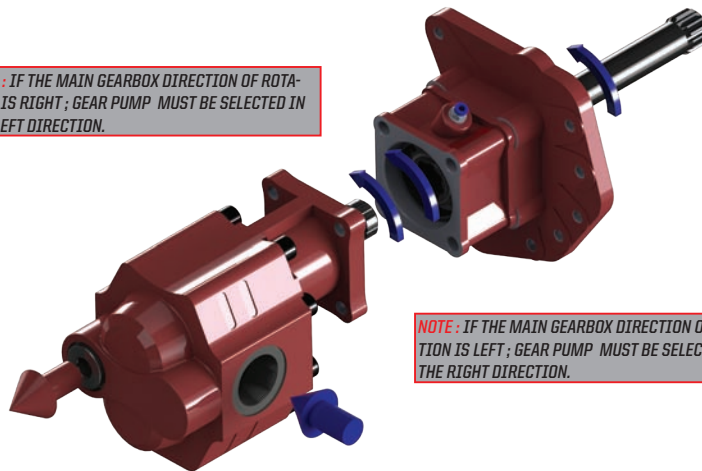
**500 025 00**



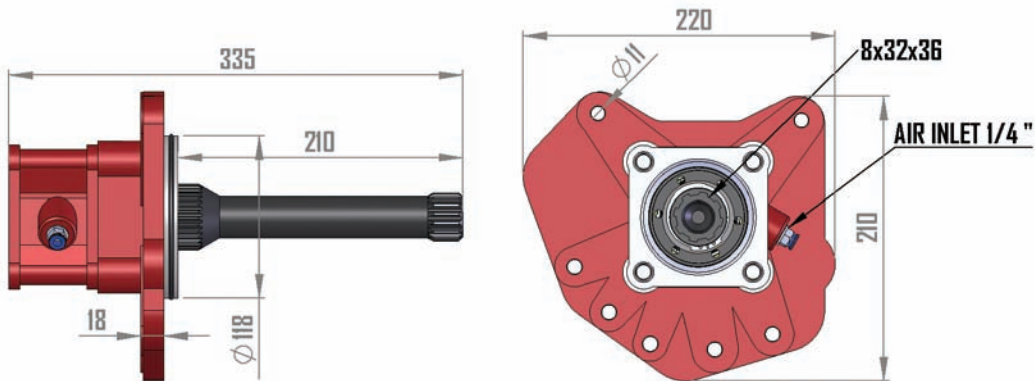
**NOTE:** CHECK WHETHER THERE IS TIGHTNESS AND THE OIL OF MAIN GEARBOX AFTER PTO ASSEMBLING.

Fluid Temp. °C	Input Working Bar
0 / 90	7 / 12 bar

**NOTE:** IF THE MAIN GEARBOX DIRECTION OF ROTATION IS RIGHT ; GEAR PUMP MUST BE SELECTED IN THE LEFT DIRECTION.

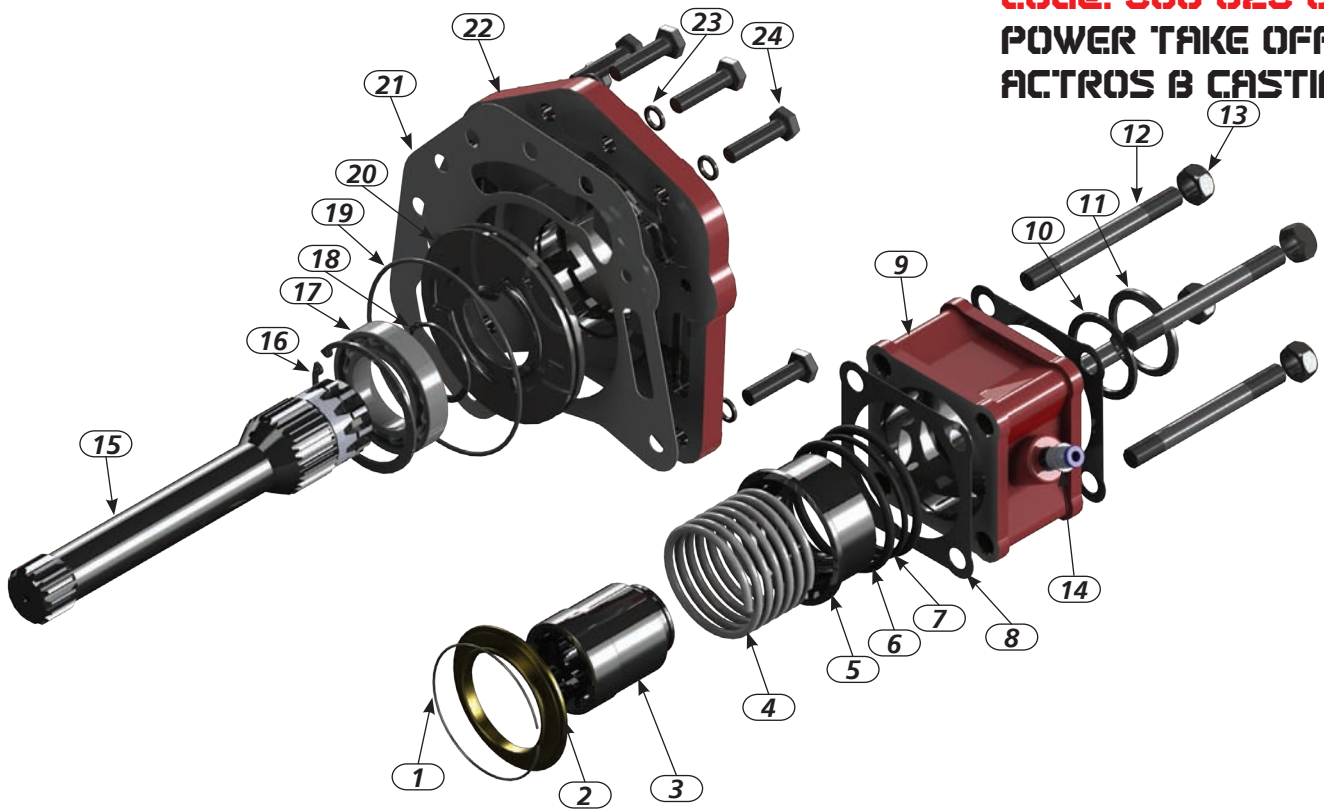


**NOTE:** IF THE MAIN GEARBOX DIRECTION OF ROTATION IS LEFT ; GEAR PUMP MUST BE SELECTED IN THE RIGHT DIRECTION.



Code	Power HP at 1000 Rpm	Rotation	Output	Control	Torgue Continuous Nm	Torgue Max Nm	Ratio	Weight Kg
500 025 00	20	Right(Cw)	ISO	Pneumatic	250	280	1:1	11
Main Gearbox : 6 125-155-180-200-210-221-240-255-260								
Test : 15 sec.								

Code: 500 025 00  
POWER TAKE OFF  
ACTROS B CASTING



<p>Pos: 1 Qty: 1</p>  <p>Code: 020 005 015 Circlip 90</p>	<p>Pos: 2 Qty: 1</p>  <p>Code: 020 090 003 Cover</p>	<p>Pos: 3 Qty: 1</p>  <p>Code: 020 120 003 Couplin</p>	<p>Pos: 4 Qty: 1</p>  <p>Code: 020 005 001 Spring</p>	<p>Pos: 5 Qty: 1</p>  <p>Code: 020 090 044 Mechanical</p>	<p>Pos: 6 Qty: 2</p>  <p>Code: 020 031 203 O ring 72,40*5,33</p>	<p>Pos: 7 Qty: 1</p>  <p>Code: 020 031 201 O ring 72,40*3,53</p>
<p>Pos: 8 Qty: 2</p>  <p>Code: 020 050 103 Seal</p>	<p>Pos: 9 Qty: 1</p>  <p>Code: 020 080 004 Body</p>	<p>Pos: 10 Qty: 1</p>  <p>Code: 020 090 020 Washer 42*52*2</p>	<p>Pos: 11 Qty: 1</p>  <p>Code: 020 010 142 Circlip 471/42</p>	<p>Pos: 12 Qty: 4</p>  <p>Code: 020 100 021 Screw M12*115</p>	<p>Pos: 13 Qty: 4</p>  <p>Code: 020 100 029 Nut M 12</p>	<p>Pos: 14 Qty: 1</p>  <p>Code: 020 110 004 Nipple 1/4" 6mm</p>
<p>Pos: 15 Qty: 1</p>  <p>Code: 110 250 045 Shaft</p>	<p>Pos: 16 Qty: 1</p>  <p>Code: 020 010 275 Circlip 472/75</p>	<p>Pos: 17 Qty: 1</p>  <p>Code: 020 020 803 Bearing 6009</p>	<p>Pos: 18 Qty: 1</p>  <p>Code: 020 010 145 Circlip 471/45</p>	<p>Pos: 19 Qty: 1</p>  <p>Code: 020 031 302 O ring 101,27*2,62</p>	<p>Pos: 20 Qty: 1</p>  <p>Code: 020 080 006 Pleyt</p>	<p>Pos: 21 Qty: 1</p>  <p>Code: 020 050 111 Seal</p>
<p>Pos: 22 Qty: 1</p>  <p>Code: 020 080 007 Body</p>	<p>Pos: 23 Qty: 7</p>  <p>Code: 020 100 030 Washer M 10</p>	<p>Pos: 24 Qty: 7</p>  <p>Code: 020 100 009 Screw M10*40</p>				

www.steelform.com