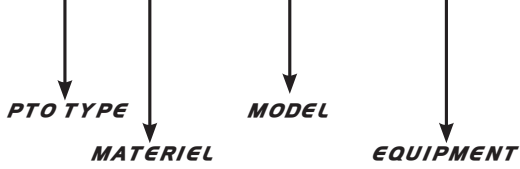




Code: 500 000 90
POWER TAKE OFF GRS 900
CASTING

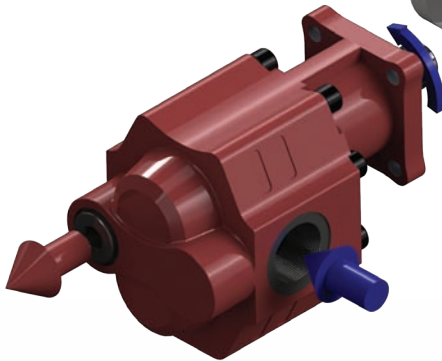
500 000 90



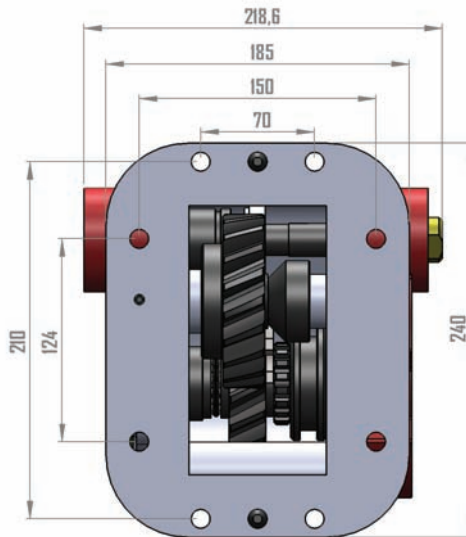
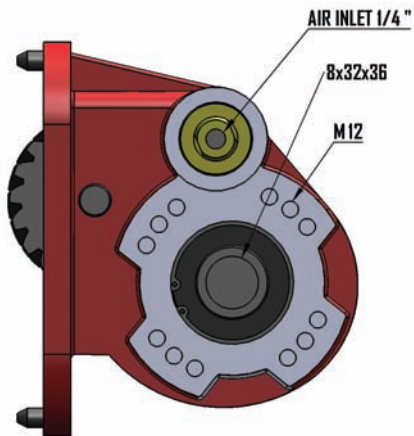
NOTE: CHECK WHETHER THERE IS TIGHTNESS AND THE OIL OF MAIN GEARBOX AFTER PTO ASSEMBLING.

Fluid Temp. °C	Input Working Bar
0 / 90	7 / 12 bar

NOTE: IF THE MAIN GEARBOX DIRECTION OF ROTATION IS RIGHT; GEAR PUMP MUST BE SELECTED IN THE LEFT DIRECTION.



NOTE: IF THE MAIN GEARBOX DIRECTION OF ROTATION IS LEFT; GEAR PUMP MUST BE SELECTED IN THE RIGHT DIRECTION.

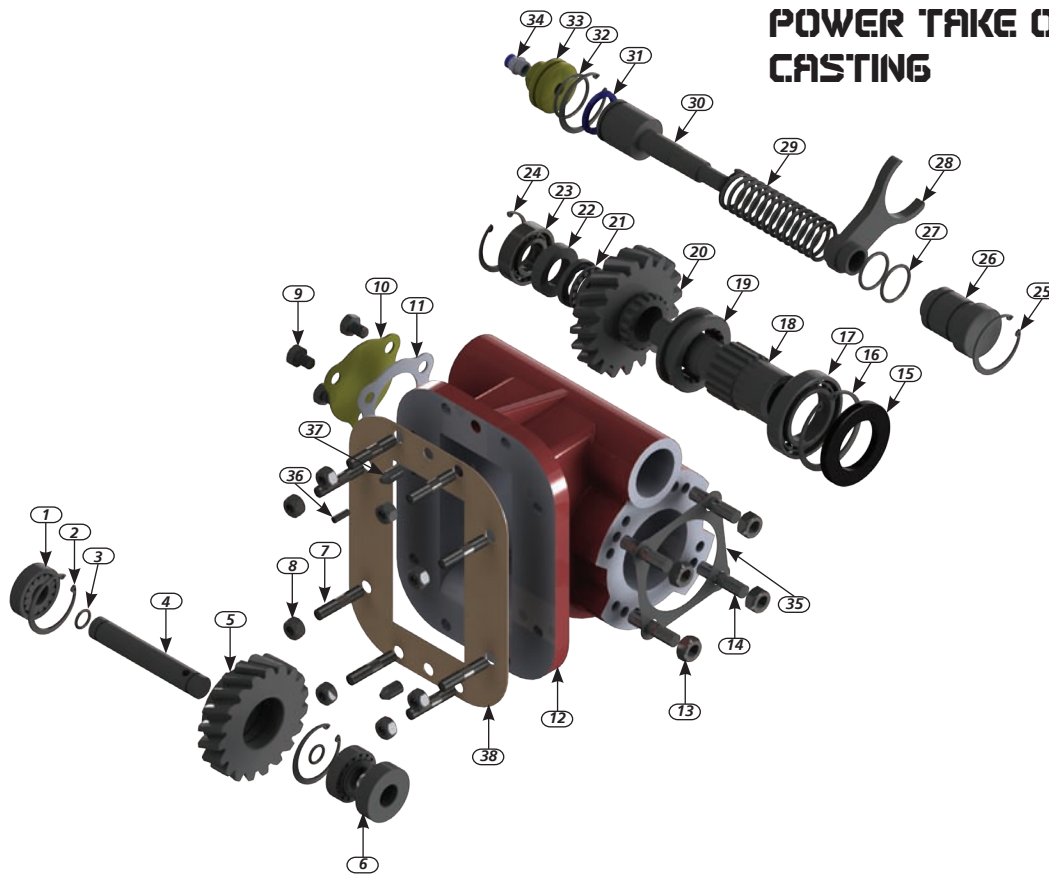


Code	Power HP at 1000 Rpm	Rotation	Output	Control	Torgue Continuous Nm	Torgue Max Nm	Ratio	Weight Kg
500 000 90	30	Right(Cw)	ISO	Pneumatic	250	280	1:0,98	19,8

Main Gearbox : GRS 900-GRS 890-GRS 920

Test : 15 sec.

Code: 500 000 90
POWER TAKE OFF GRS 900
CASTING



Pos: 1 Qty: 2



Code: 020 020 404
Bearing 32204

Pos: 2 Qty: 2



Code: 020 010 247
Circlip 472/47

Pos: 3 Qty: 2



Code: 020 031 306
O Ring 15,08*2,62

Pos: 4 Qty: 1 Code: 020 090 091 Shaft	Pos: 5 Qty: 1 Code: 020 090 038 Gear	Pos: 6 Qty: 1 Code: 020 090 089 Washer	Pos: 7 Qty: 8 Code: 020 100 028 Screw M10*51	Pos: 8 Qty: 8 Code: 020 100 040 Nut M 10	Pos: 9 Qty: 3 Code: 020 100 034 Screw M 10*16	Pos: 10 Qty: 1 Code: 020 090 094 Washer
Pos: 11 Qty: 1 Code: 020 050 114 Seal	Pos: 12 Qty: 1 Code: 020 080 036 Body Scania	Pos: 13 Qty: 4 Code: 020 100 029 Nut M 12	Pos: 14 Qty: 4 Code: 020 100 020 Screw M 12*51	Pos: 15 Qty: 1 Code: 020 040 604 Seal Mim 48*75*8	Pos: 16 Qty: 1 Code: 020 010 275 Circlip 472/75	Pos: 17 Qty: 1 Code: 020 020 803 Bearing 6009
Pos: 18 Qty: 1 Code: 020 090 039 Gear	Pos: 19 Qty: 1 Code: 020 090 010 Gear	Pos: 20 Qty: 1 Code: 020 090 040 Gear	Pos: 21 Qty: 1 Code: 020 020 601 Bearing 51105 A	Pos: 22 Qty: 1 Code: 020 090 088 Washer 26*45*11	Pos: 23 Qty: 1 Code: 020 020 804 Bearing 6205	Pos: 24 Qty: 1 Code: 020 010 252 Circlip 472/52
Pos: 25 Qty: 2 Code: 020 010 245 Circlip 472/45	Pos: 26 Qty: 1 Code: 020 090 093 Piston	Pos: 27 Qty: 2 Code: 020 030 801 O Ring 32*3	Pos: 28 Qty: 1 Code: 020 080 067 Crotch	Pos: 29 Qty: 1 Code: 020 005 019 Spring	Pos: 30 Qty: 1 Code: 020 090 090 Piston	Pos: 31 Qty: 1 Code: 020 040 304 Seal Mim 30*38*4
Pos: 32 Qty: 1 Code: 020 030 803 O Ring 38*3	Pos: 33 Qty: 1 Code: 020 090 092 Cover	Pos: 34 Qty: 1 Code: 020 110 004 Nipple 1/4" 6mm	Pos: 35 Qty: 1 Code: 020 050 103 Seal	Pos: 36 Qty: 1 Code: 020 100 043 Screw 6	Pos: 37 Qty: 2 Code: 020 090 095 Pim	Pos: 38 Qty: 1 Code: 020 050 113 Seal