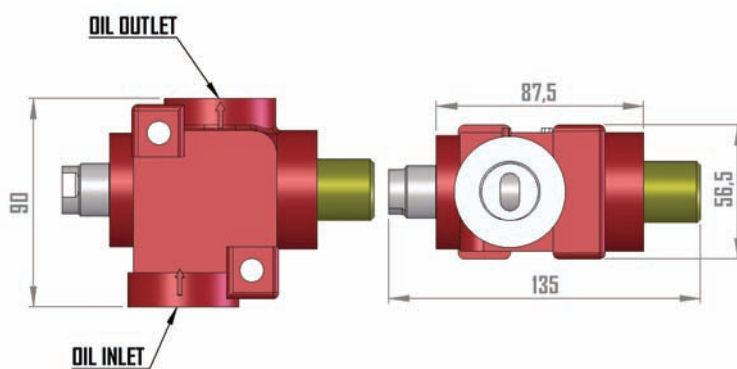
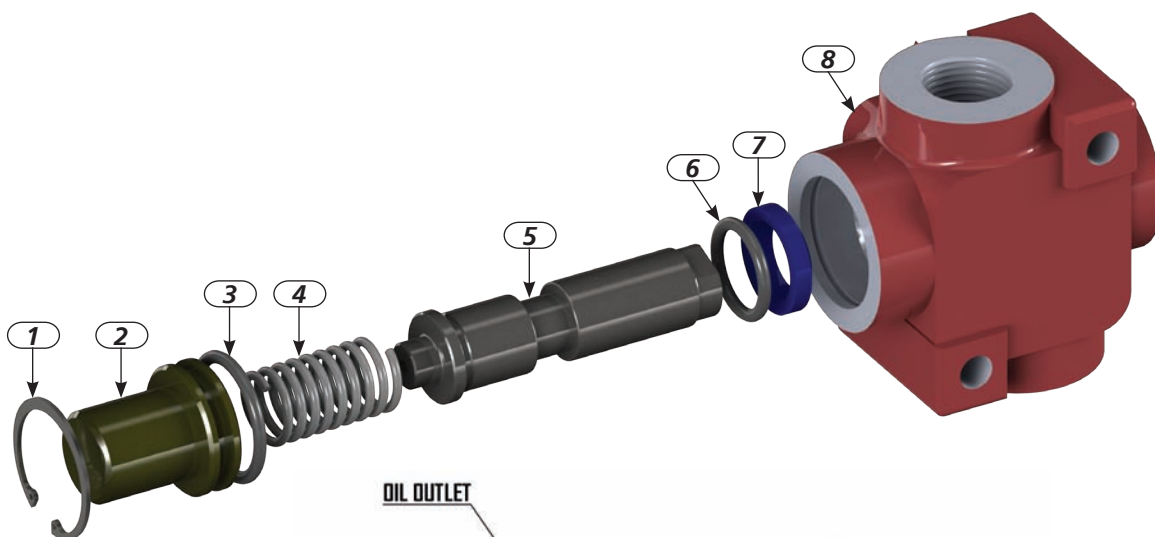


Code: 210 080 00
HYDRAULIC LIMITER VALVE MECHANIC

210 080 00

VALVE TYPE DISPLACEMENT EQUIPMENT



Code	Displacement cm ³ /1000	Working Pressure	Test Pressure	Max. Test Pressure	Oil Inlet Pump	Oil Outlet Tank	Control	Weight Kg.
210 080 000	150				3/4"	3/4"	Mechanic	2
Test Pressure : 60 sec		Max Test Pressure : 5 sec. Max.						

www.steelium.com