

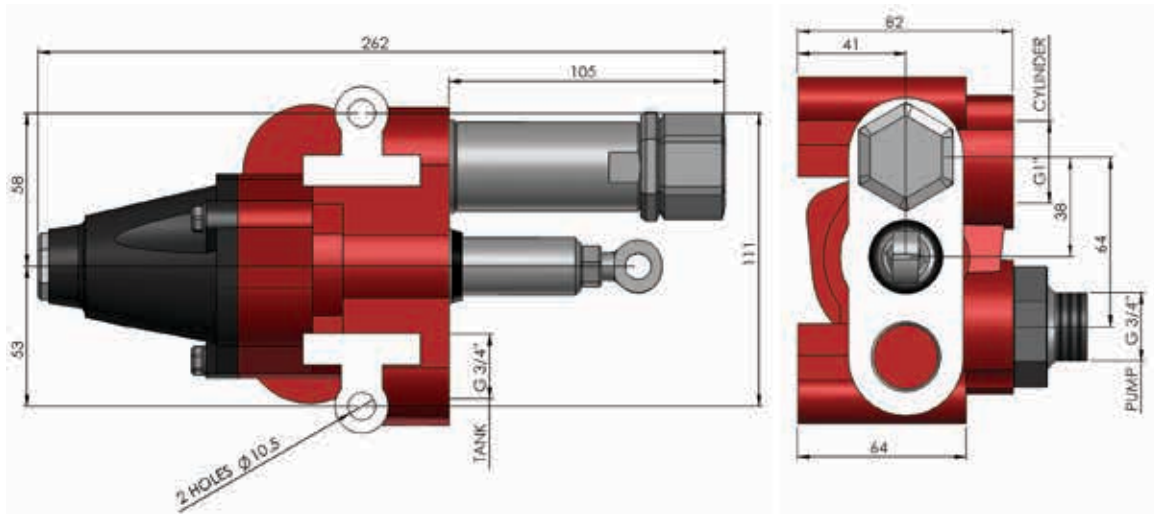
Code: 200 080 08
HYDRAULIC CONTROL VALVE

200 080 08

↓ ↓ ↓
VALVE TYPE DISPLACEMENT EQUIPMENT

Fluid Temp. °C	Input Working Bar	Optimale K. Viscosity	Oil Filtering
0 / 100	7/12 Bar	10 / 100 CST	> 200 bar : 25 µm < 200 bar : 35 µm

NOTE: CHECK WHETHER TIGHTNESS OR NOT AND THE OIL OF MAIN GEARBOX AFTER PTO ASSEMBLING.



Code	Displacement cm ³ /1000	Working Pressure	Test Pressure	Max. Test Pressure	Oil Inlet Pump	Oil Outlet Tank	Oil Outlet Cylinder	Weight Kg.
200 080 08	110	170	170	126	3/4" G	3/4" G	1" G	4.5