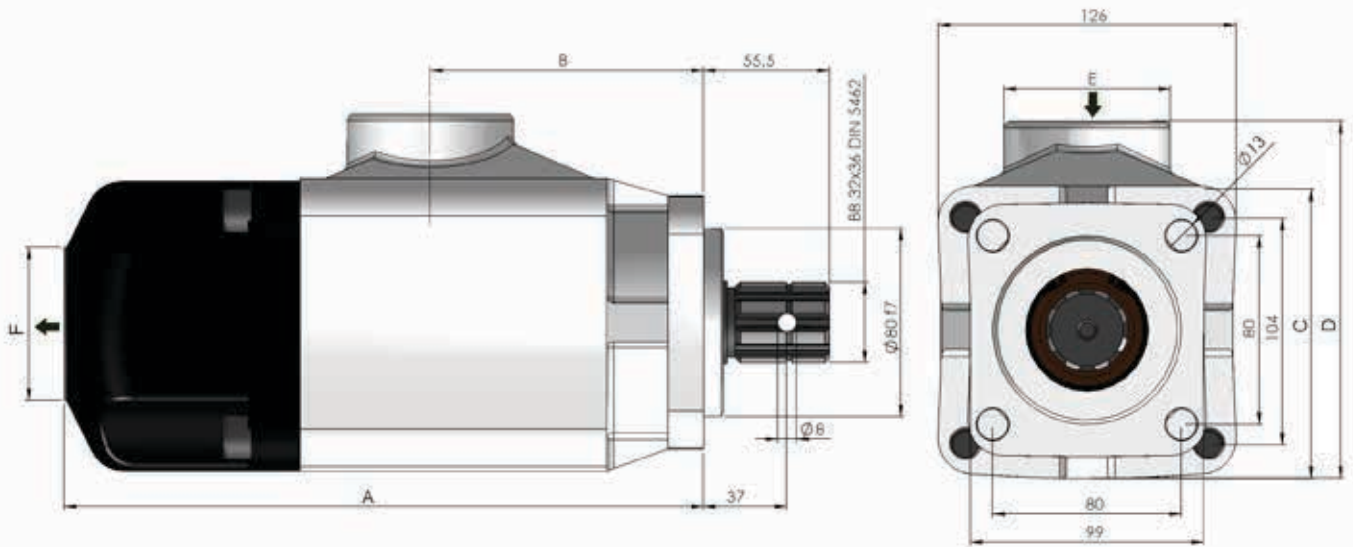
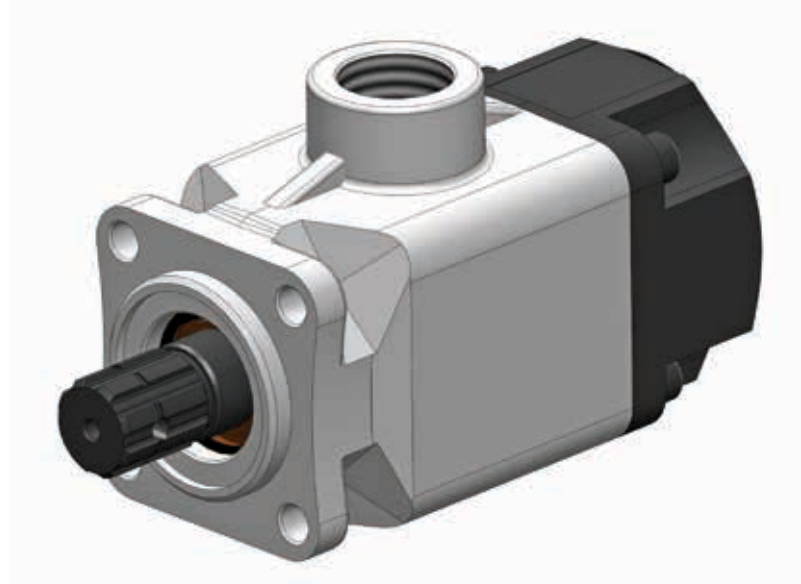
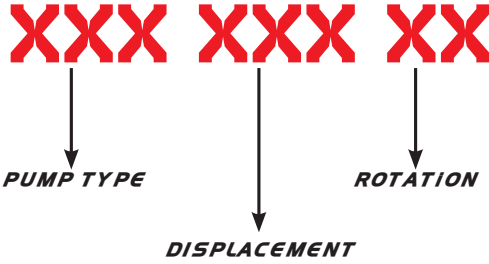


**HIGH PRESSURE PUMP**



Code	Displacement cm <sup>3</sup> /1000	Rotation	Working Pressure	A mm	B mm	C mm	D mm	E Inlet	F Outlet	Weight
950 011 00	11	Bi-DIRECTIONAL	350	232	93	108	139	1" 1/4 G	1" G	10.5
950 018 00	18	Bi-DIRECTIONAL	350							
950 024 00	24	Bi-DIRECTIONAL	350							
950 036 00	36	Bi-DIRECTIONAL	350							
950 050 00	50	Bi-DIRECTIONAL	350							
950 060 00	60	Bi-DIRECTIONAL	350							