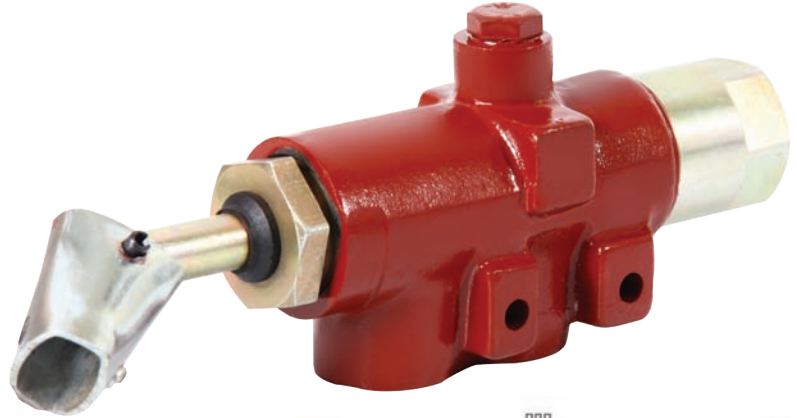


Code: 215 080 00

HYDRAULIC DECREASE VALVE MECHANIC

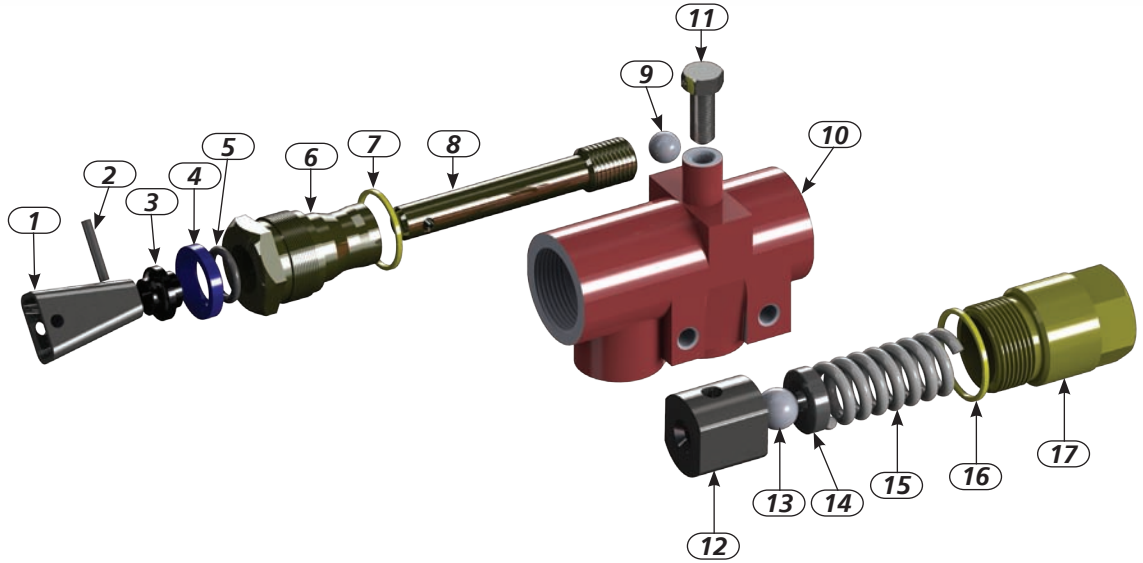
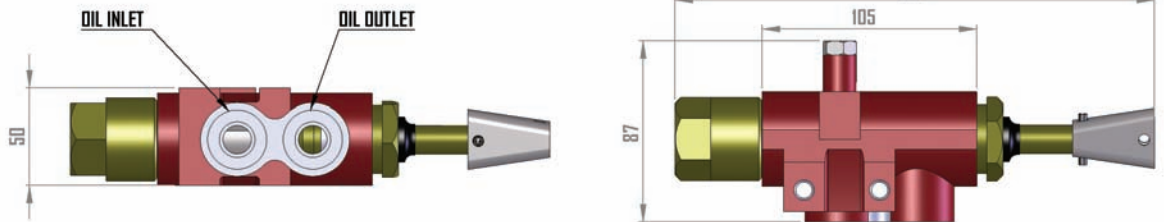
215 080 00

VALVE TYPE DISPLACEMENT EQUIPMENT



HYDRAULIC VALVES

www.hidroozcelik.com



Code	Displacement cm³/1000	Working Pressure	Test Pressure	Max. Test Pressure	Oil Inlet Pump	Oil Outlet Cylinder	Control	Weight Kg.
215 080 000	150	150	160	160	M 22*1,5	M 22*1,5	Mechanic	2
Test Pressure : 60 sec		Max Test Pressure : 5 sec. Max.						