



**Code: 205 080 00**  
**HYDRAULIC DIRECTION**  
**CONTROL VALVE TYP TANK**

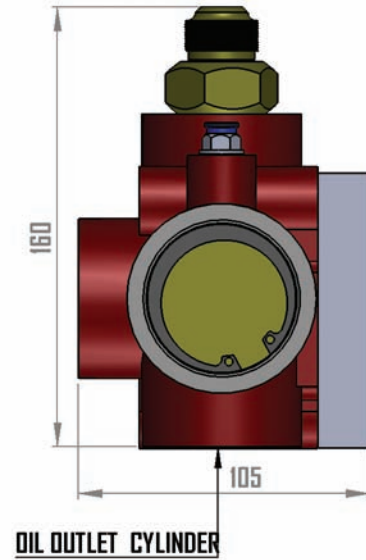
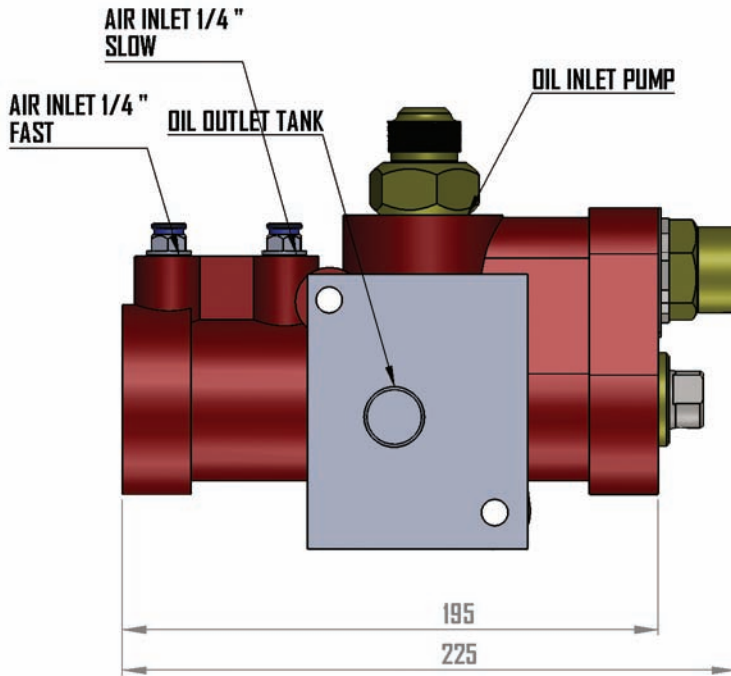
**205 080 00**



VALVE TYPE DISPLACEMENT EQUIPMENT

Fluid Temp. °C	Input Working Bar	Optimale K. Viscosity	Oil Filtering
0 / 100	7/12 Bar	10 / 100 CST	> 200 bar : 25 um <200 bar : 35 um

**NOTE:** CHECK WHETHER TIGHTNESS OR NOT AND THE OIL OF MAIN GEARBOX AFTER PTO ASSEMBLING.

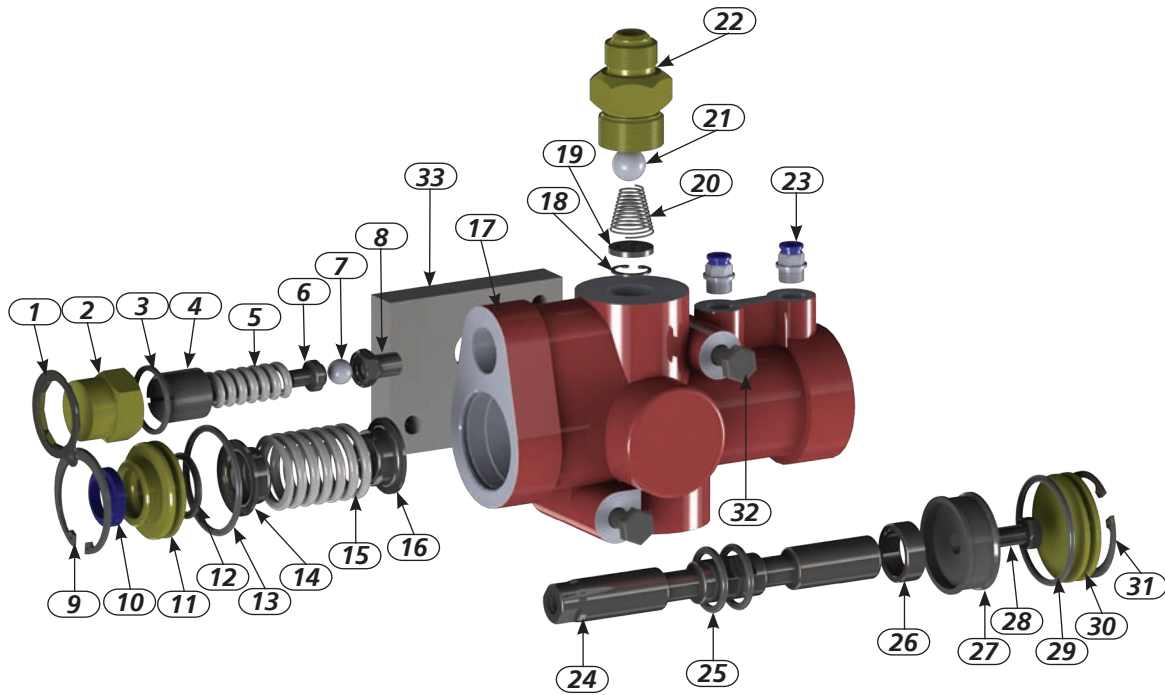


Code	Displacement cm <sup>3</sup> /1000	Working Pressure	Test Pressure	Max. Test Pressure	Oil Inlet Pump	Oil Outlet Tank	Oil Outlet Cylinder	Control	Weight Kg.
205 080 000	150	170	170	190	61"		6 3/4"	Pneumatic	6,5

Test Pressure : 60 sec

Max Test Pressure : 5 sec. Max.

Code: 205 080 00  
HYDRAULIC DIRECTION  
CONTROL VALVE TYP TANK



Pos: 1 Qty:1  Code: 020 090 052 Washer	Pos: 2 Qty:1  Code: 020 090 053 Cover	Pos: 3 Qty:1  Code: 020 100 035 Washer 3/4	Pos: 4 Qty:1  Code: 020 090 021 Pressure Screw	Pos: 5 Qty:1  Code: 020 005 003 Spring	Pos: 6 Qty:1  Code: 020 090 023 Spring Guide	Pos: 7 Qty:1  Code: 020 020 101 Ball 1/2
Pos: 8 Qty:1  Code: 020 090 024 Ball	Pos: 9 Qty:1  Code: 020 010 250 Circlip 472/50	Pos: 10 Qty:1  Code: 020 040 103 Seal Mim 22*30*7/5	Pos: 11 Qty:1  Code: 020 090 056 Cover	Pos: 12 Qty:1  Code: 020 030 301 O ring 21,8*3,53	Pos: 13 Qty:1  Code: 020 030 901 O ring 40*40	Pos: 14 Qty:1  Code: 020 090 054 Circlip Short
Pos: 15 Qty:1  Code: 020 005 007 Spring	Pos: 16 Qty:1  Code: 020 090 054 Circlip Long	Pos: 17 Qty:1  Code: 020 080 032 Body	Pos: 18 Qty:1  Code: 020 010 223 Circlip 472/23	Pos: 19 Qty:1  Code: 020 100 016 Washer	Pos: 20 Qty:1  Code: 020 005 014 Spring	Pos: 21 Qty:1  Code: 020 020 104 Ball
Pos: 22 Qty:1  Code: 020 110 005 Nipple 1*1 1/16	Pos: 23 Qty:1  Code: 020 110 004 Nipple 1/4* 6mm	Pos: 24 Qty:1  Code: 020 090 057 Shaft	Pos: 25 Qty:1  Code: 020 030 301 O ring 21,82*3,53	Pos: 26 Qty:1  Code: 020 100 024 Washer	Pos: 27 Qty:1  Code: 020 040 701 Seal/Mim 50*10*18	Pos: 28 Qty:1  Code: 020 100 036 Screw 10*20
Pos: 29 Qty:1  Code: 020 031 001 O ring 44*45*3,53	Pos: 30 Qty:1  Code: 020 090 022 Cover	Pos: 31 Qty:1  Code: 020 010 255 Circlip 472/55	Pos: 32 Qty:1  Code: 020 100 026 Screw 10*80	Pos: 33 Qty:1  Code: 020 090 045 Plate		

www.steelform.com