



Code: 200 080 00

HYDRAULIC DIRECTION CONTROL VALVE

200 080 00

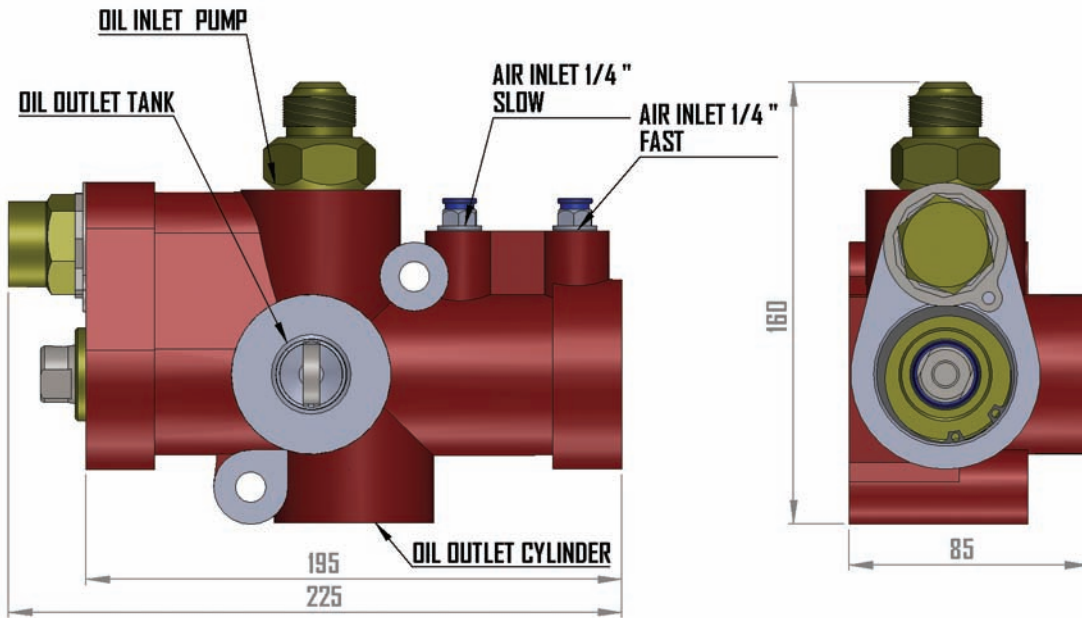
↓ ↓ ↓
VALVE TYPE DISPLACEMENT EQUIPMENT

Fluid Temp. °C	Input Working Bar	Optimale K. Viscosity	Oil Filtering
0 / 100	7/12 Bar	10 / 100 CST	> 200 bar : 25 um < 200 bar : 35 um

NOTE: CHECK WHETHER TIGHTNESS OR NOT AND THE OIL OF MAIN GEARBOX AFTER PTO ASSEMBLING.



HYDRAULIC VALVES

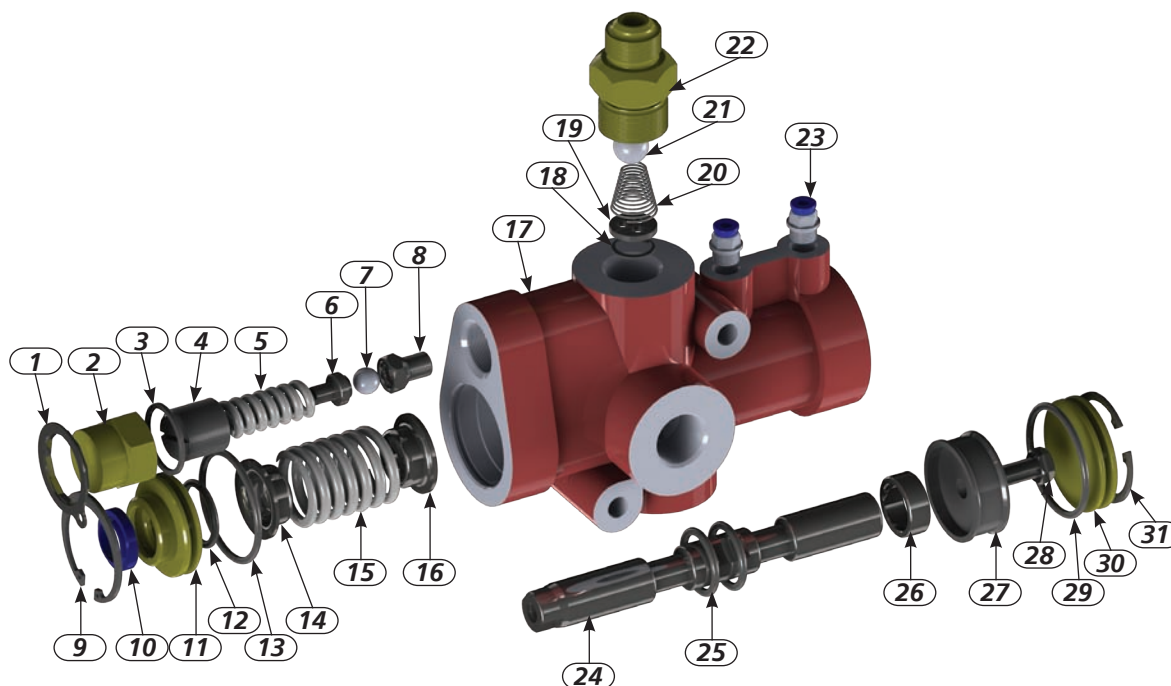


Code	Displacement cm ³ /1000	Working Pressure	Test Pressure	Max. Test Pressure	Oil Inlet Pump	Oil Outlet Tank	Oil Outlet Cylinder	Control	Weight Kg.
200 080 000	150	170	170	190	G 1"	G 3/4"	G 3/4"	Pneumatic	5,8

Test Pressure : 60 sec

Max Test Pressure : 5 sec. Max.

Code: 200 080 00
HYDRAULIC DIRECTION CONTROL VALVE



<p>Pos: 1 Qty:1</p>  <p>Code: 020 090 052 Washer</p>	<p>Pos: 2 Qty:1</p>  <p>Code: 020 090 053 Cover</p>	<p>Pos: 3 Qty:1</p>  <p>Code: 020 100 035 Washer 3/4</p>	<p>Pos: 4 Qty:1</p>  <p>Code: 020 090 021 Pressure Screw</p>	<p>Pos: 5 Qty:1</p>  <p>Code: 020 005 003 Spring</p>	<p>Pos: 6 Qty:1</p>  <p>Code: 020 090 023 Spring Guide</p>	<p>Pos: 7 Qty:1</p>  <p>Code: 020 020 101 Ball 1/2</p>
<p>Pos: 8 Qty:1</p>  <p>Code: 020 090 024 Ball</p>	<p>Pos: 9 Qty:1</p>  <p>Code: 020 010 250 Circlip 472/50</p>	<p>Pos: 10 Qty:1</p>  <p>Code: 020 040 103 Seal Mim 22*30*7/5</p>	<p>Pos: 11 Qty:1</p>  <p>Code: 020 090 056 Cover</p>	<p>Pos: 12 Qty:1</p>  <p>Code: 020 030 301 O ring 21,82*3,53</p>	<p>Pos: 13 Qty:1</p>  <p>Code: 020 030 901 O ring 40*4</p>	<p>Pos: 14 Qty:1</p>  <p>Code: 020 090 054 Circlip Short</p>
<p>Pos: 15 Qty:1</p>  <p>Code: 020 005 007 Spring</p>	<p>Pos: 16 Qty:1</p>  <p>Code: 020 090 054 Circlip Long</p>	<p>Pos: 17 Qty:1</p>  <p>Code: 020 080 042 Body</p>	<p>Pos: 18 Qty:1</p>  <p>Code: 020 010 223 Circlip 472/23</p>	<p>Pos: 19 Qty:1</p>  <p>Code: 020 100 016 Washer</p>	<p>Pos: 20 Qty:1</p>  <p>Code: 020 005 014 Spring</p>	<p>Pos: 21 Qty:1</p>  <p>Code: 020 020 104 Ball</p>
<p>Pos: 22 Qty:1</p>  <p>Code: 020 110 005 Nipple 1*1 1/16</p>	<p>Pos: 23 Qty:1</p>  <p>Code: 020 110 004 Nipple 1/4* 6mm</p>	<p>Pos: 24 Qty:1</p>  <p>Code: 020 090 057 Shaft</p>	<p>Pos: 25 Qty:1</p>  <p>Code: 020 030 301 O ring 21,82*3,53</p>	<p>Pos: 26 Qty:1</p>  <p>Code: 020 100 024 Washer</p>	<p>Pos: 27 Qty:1</p>  <p>Code: 020 040 701 SealMim 50*10*18</p>	<p>Pos: 28 Qty:1</p>  <p>Code: 020 100 036 Screw 10*20</p>
<p>Pos: 29 Qty:1</p>  <p>Code: 020 031 001 O ring 44*45*3,53</p>	<p>Pos: 30 Qty:1</p>  <p>Code: 020 090 022 Cover</p>	<p>Pos: 31 Qty:1</p>  <p>Code: 020 010 255 Circlip 472/55</p>				