



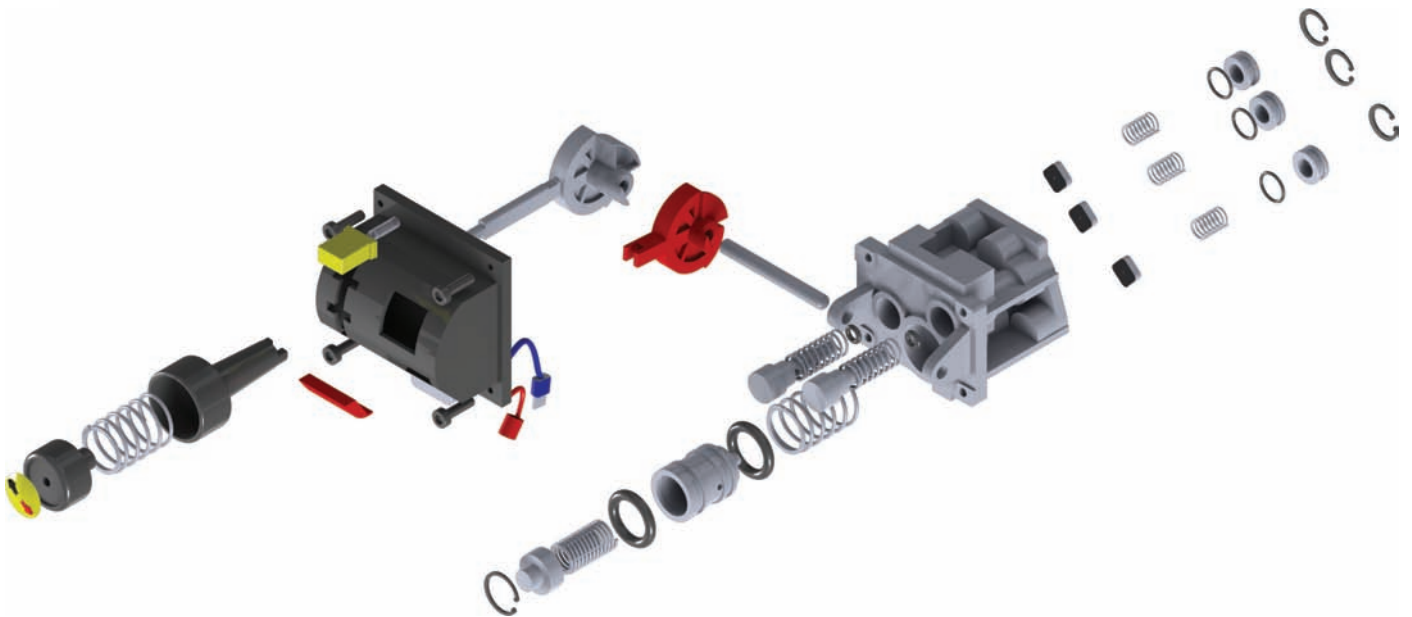
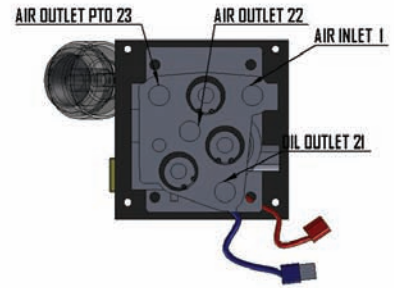
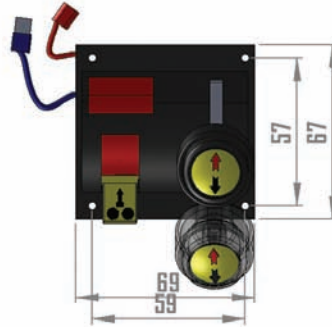
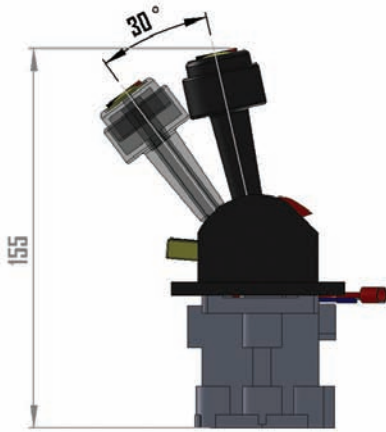
Code: 700 002 222
AUTOMATIC JOYSTICK 2 WAY

700 002 222

GROUP

MODEL

EQUIPMENT



Code	Air Inlet	Air Outlet 1	Air Outlet 2	Air Outlet 3	Control	Input Working Bar	Weight Kg
700 002 222	1/8"	1/8"	1/8"	1/8"	Pneumatic	7/12	0,4

Test: 60 Sec.

SPARE PARTS

www.hidroozcelik.com