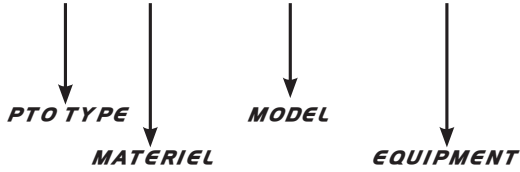




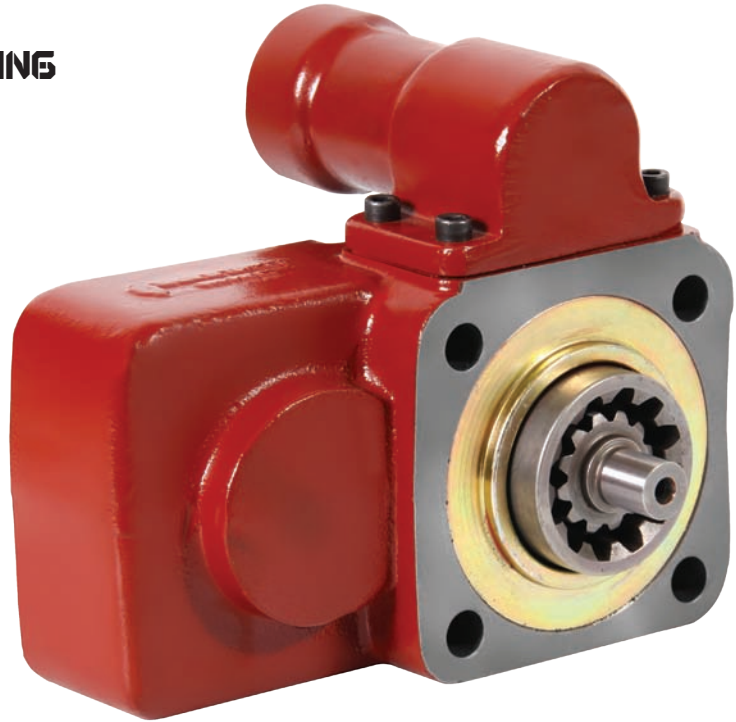
Code: 500 015 00
POWER TAKE OFF ZF 2 CASTING

500 015 00



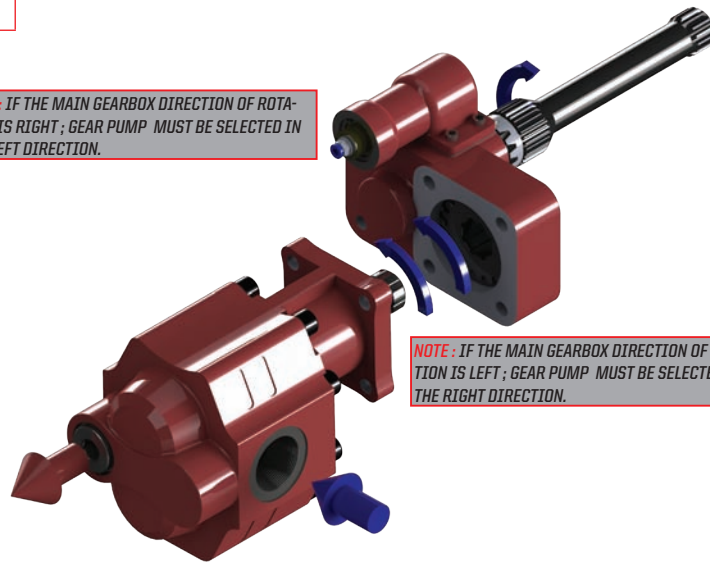
NOTE: CHECK WHETHER THERE IS TIGHTNESS AND THE OIL OF MAIN GEARBOX AFTER PTO ASSEMBLING.

Fluid Temp. °C	Input Working Bar
0 / 90	7 / 12 bar

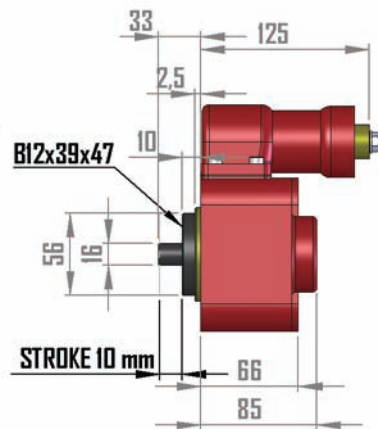
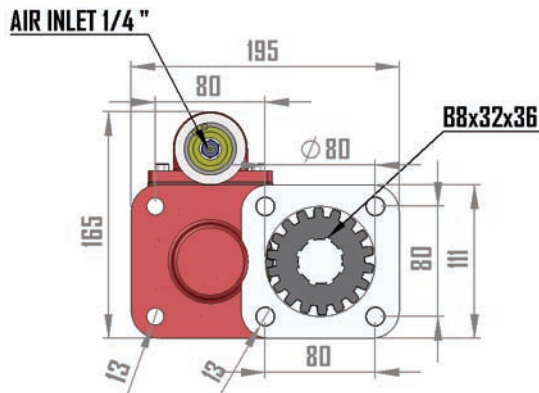


P.T.O.

NOTE: IF THE MAIN GEARBOX DIRECTION OF ROTATION IS RIGHT; GEAR PUMP MUST BE SELECTED IN THE LEFT DIRECTION.



NOTE: IF THE MAIN GEARBOX DIRECTION OF ROTATION IS LEFT; GEAR PUMP MUST BE SELECTED IN THE RIGHT DIRECTION.

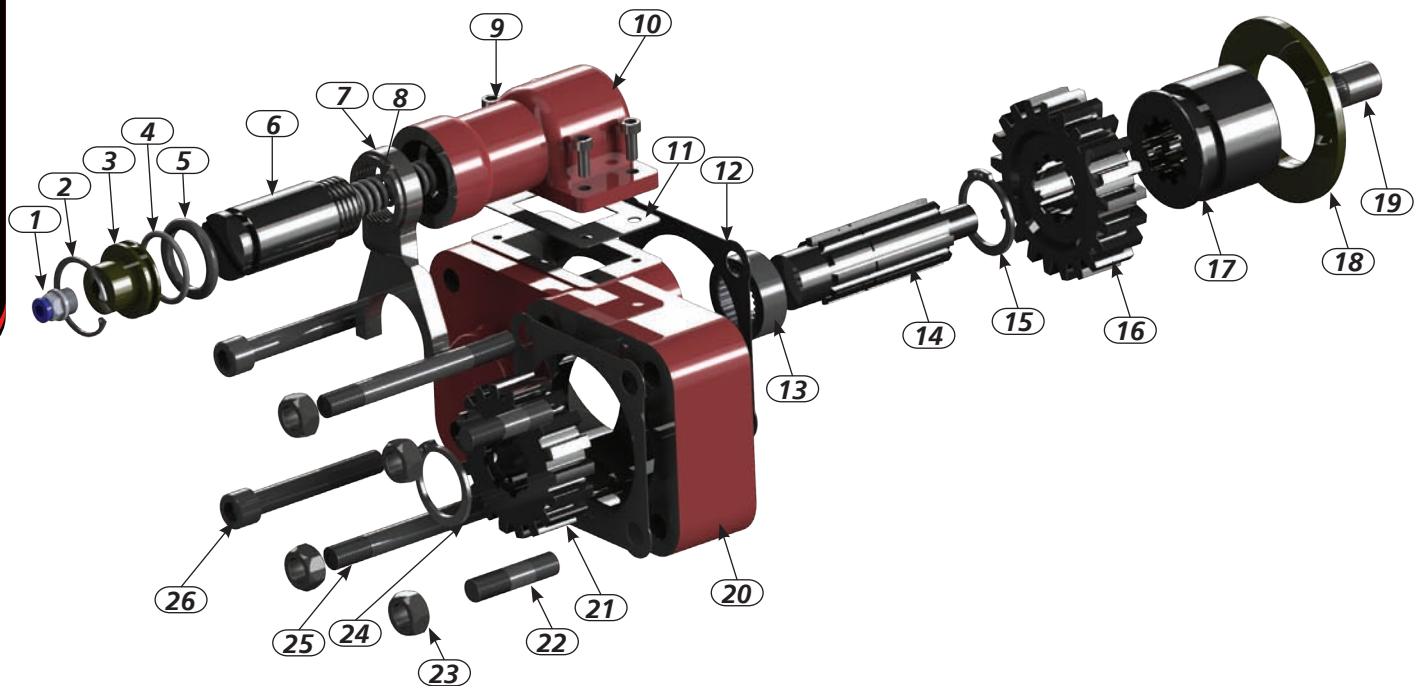


Code	Power HP at 1000 Rpm	Rotation	Output	Control	Torgue Continuous Nm	Torgue Max Nm	Ratio	Weight Kg
500 015 00	25	Left(Ccw)	ISO	Pneumatic	280	300	1:0,86	8

Main Gearbox : ZF 16S130-150-151-221-251 ZF S5/AK/6S-92-110-11-120

Test : 15 sec.

Code: 500 015 00
POWER TAKE OFF ZF 2 CASTING



<p>Pos: 1 Qty: 1</p> <p>Code: 020 110 004 Nipple 1/4" 6mm</p>	<p>Pos: 2 Qty: 1</p> <p>Code: 020 010 237 Circlip 472/37</p>	<p>Pos: 3 Qty: 1</p> <p>Code: 020 090 004 Cover</p>	<p>Pos: 4 Qty: 1</p> <p>Code: 020 030 602 O ring 29,75*3,53</p>	<p>Pos: 5 Qty: 1</p> <p>Code: 020 030 502 O ring 24*4</p>	<p>Pos: 6 Qty: 1</p> <p>Code: 020 090 046 Piston</p>	<p>Pos: 7 Qty: 1</p> <p>Code: 020 080 023 Crotch</p>
<p>Pos: 8 Qty: 1</p> <p>Code: 020 005 002 Sipring</p>	<p>Pos: 9 Qty: 4</p> <p>Code: 020 100 032 Screw M 6*16</p>	<p>Pos: 10 Qty: 1</p> <p>Code: 020 090 047 Cover</p>	<p>Pos: 11 Qty: 1</p> <p>Code: 020 050 108 Seal</p>	<p>Pos: 12 Qty: 2</p> <p>Code: 020 050 103 Seal</p>	<p>Pos: 13 Qty: 1</p> <p>Code: 020 021 201 Bearing NKis 20</p>	<p>Pos: 14 Qty: 1</p> <p>Code: 020 090 048 Gear</p>
<p>Pos: 15 Qty: 1</p> <p>Code: 020 010 135 Circlip 471/35</p>	<p>Pos: 16 Qty: 1</p> <p>Code: 020 090 014 Gear</p>	<p>Pos: 17 Qty: 1</p> <p>Code: 020 120 004 Couplin</p>	<p>Pos: 18 Qty: 1</p> <p>Code: 020 080 022 Cover</p>	<p>Pos: 19 Qty: 1</p> <p>Code: 020 021 101 Bearing HK 1616</p>	<p>Pos: 20 Qty: 1</p> <p>Code: 020 080 024 Body</p>	<p>Pos: 21 Qty: 1</p> <p>Code: 020 090 013 Gear</p>
<p>Pos: 22 Qty: 2</p> <p>Code: 020 100 020 Screw M12*51</p>	<p>Pos: 23 Qty: 4</p> <p>Code: 020 100 029 Nut M 12</p>	<p>Pos: 24 Qty: 1</p> <p>Code: 020 010 135 Circlip 471/35</p>	<p>Pos: 25 Qty: 2</p> <p>Code: 020 100 021 Screw M12*115</p>	<p>Pos: 26 Qty: 2</p> <p>Code: 020 100 005 Screw M12*80</p>		

www.steelium.com