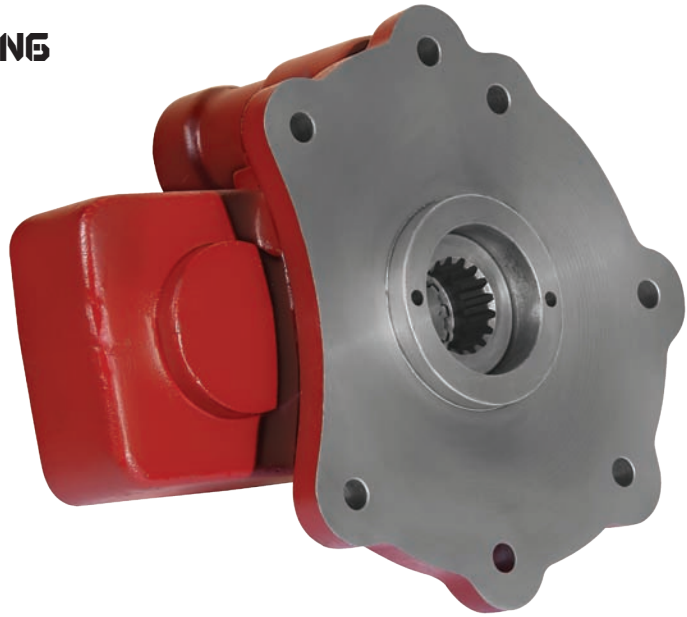
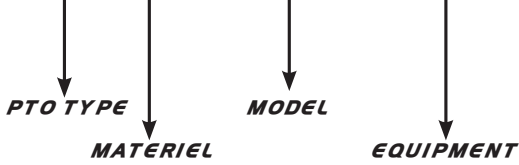




Code: 500 034 00

POWER TAKE OFF ATEGO CASTING

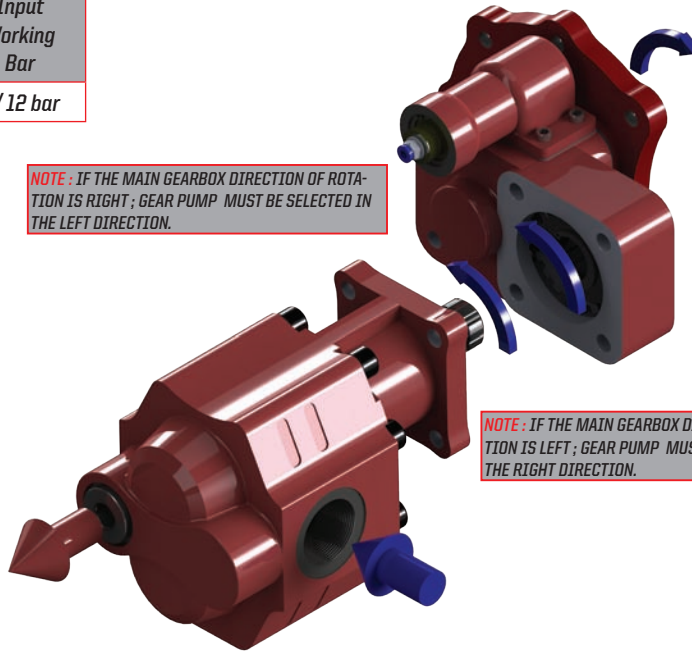
500 034 00



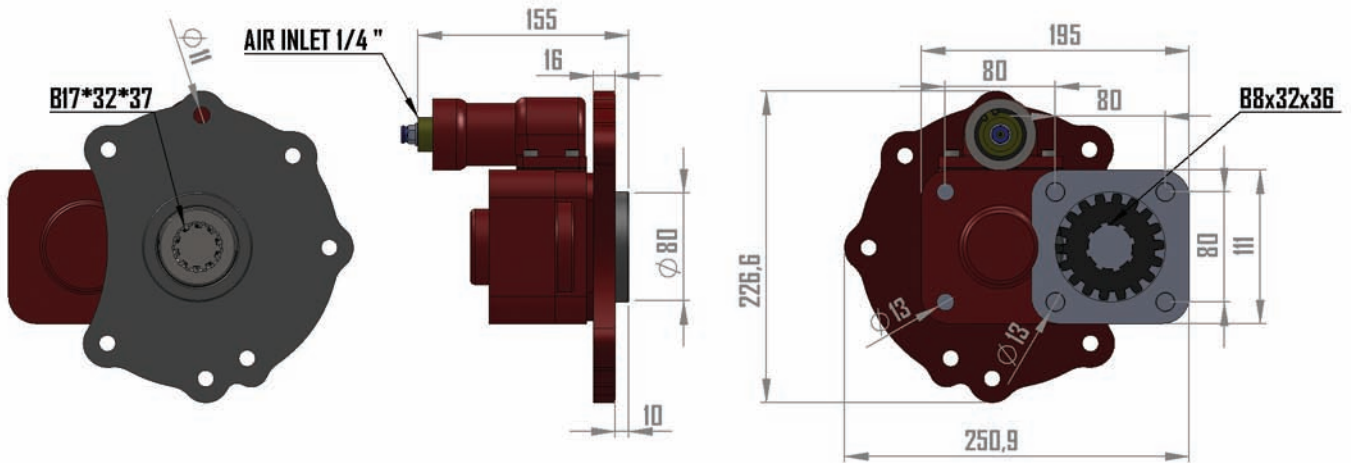
NOTE: CHECK WHETHER THERE IS TIGHTNESS AND THE OIL OF MAIN GEARBOX AFTER PTO ASSEMBLING.

Fluid Temp. °C	Input Working Bar
0 / 90	7 / 12 bar

NOTE: IF THE MAIN GEARBOX DIRECTION OF ROTATION IS RIGHT; GEAR PUMP MUST BE SELECTED IN THE LEFT DIRECTION.



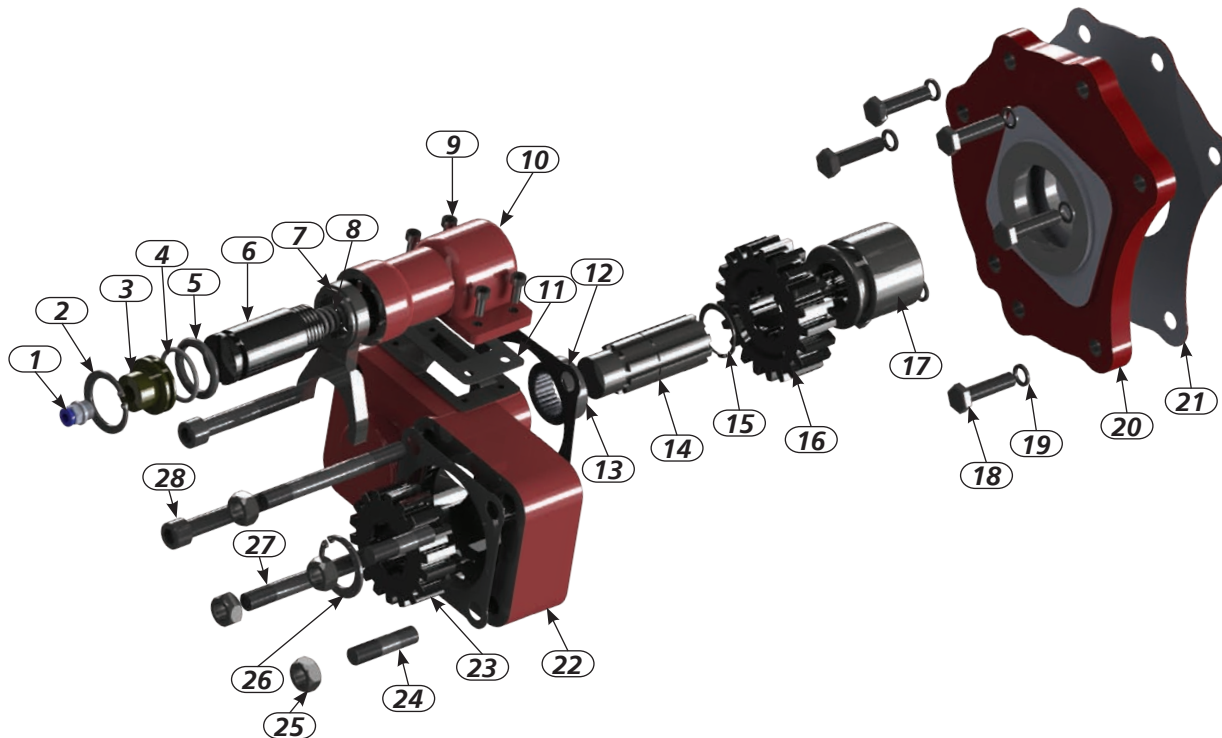
NOTE: IF THE MAIN GEARBOX DIRECTION OF ROTATION IS LEFT; GEAR PUMP MUST BE SELECTED IN THE RIGHT DIRECTION.



Code	Power HP at 1000 Rpm	Rotation	Output	Control	Torgue Continuous Nm	Torgue Max Nm	Ratio	Weight Kg
500 034 000	20	Left(Ccw)	ISO	Pneumatic	240	250	1:0,86	9,3
Main Gearbox : 6 60,85								
Test : 15 sec.								

Code: 500 025 00

POWER TAKE OFF ATEGO CASTING



<p>Pos: 1 Qty: 1</p> <p>Code: 020 110 004 Nipple 1/4" 6mm</p>	<p>Pos: 2 Qty: 1</p> <p>Code: 020 010 237 Circlip 472/37</p>	<p>Pos: 3 Qty: 1</p> <p>Code: 020 090 004 Cover</p>	<p>Pos: 4 Qty: 1</p> <p>Code: 020 030 602 O ring 29,75*3,53</p>	<p>Pos: 5 Qty: 1</p> <p>Code: 020 030 502 O ring 24*4</p>	<p>Pos: 6 Qty: 1</p> <p>Code: 020 090 046 Piston</p>	<p>Pos: 7 Qty: 1</p> <p>Code: 020 080 023 Crotch</p>
<p>Pos: 8 Qty: 1</p> <p>Code: 020 005 002 Sipring</p>	<p>Pos: 9 Qty: 4</p> <p>Code: 020 100 032 Screw M 6*16</p>	<p>Pos: 10 Qty: 1</p> <p>Code: 020 090 047 Cover</p>	<p>Pos: 11 Qty: 1</p> <p>Code: 020 050 108 Seal</p>	<p>Pos: 12 Qty: 2</p> <p>Code: 020 050 103 Seal</p>	<p>Pos: 13 Qty: 1</p> <p>Code: 020 021 201 Bearing Nkis 20</p>	<p>Pos: 14 Qty: 1</p> <p>Code: 020 090 031 Gear</p>
<p>Pos: 15 Qty: 1</p> <p>Code: 020 010 135 Circlip 471/35</p>	<p>Pos: 16 Qty: 1</p> <p>Code: 020 090 032 Gear</p>	<p>Pos: 17 Qty: 1</p> <p>Code: 020 120 007 Couplin</p>	<p>Pos: 18 Qty: 7</p> <p>Code: 020 100 030 Washer M 10</p>	<p>Pos: 19 Qty: 7</p> <p>Code: 020 100 009 Screw M 10*40</p>	<p>Pos: 20 Qty: 1</p> <p>Code: 020 080 071 Cover</p>	<p>Pos: 21 Qty: 1</p> <p>Code: 020 050 116 Seal</p>
<p>Pos: 22 Qty: 1</p> <p>Code: 020 080 024 Body</p>	<p>Pos: 23 Qty: 1</p> <p>Code: 020 090 033 Gear</p>	<p>Pos: 24 Qty: 2</p> <p>Code: 020 100 020 Screw M 12*51</p>	<p>Pos: 25 Qty: 4</p> <p>Code: 020 100 029 Nut M 12</p>	<p>Pos: 26 Qty: 1</p> <p>Code: 020 010 135 Circlip 471/35</p>	<p>Pos: 27 Qty: 2</p> <p>Code: 020 100 021 Screw M12*115</p>	<p>Pos: 28 Qty: 2</p> <p>Code: 020 100 005 Screw M12*80</p>