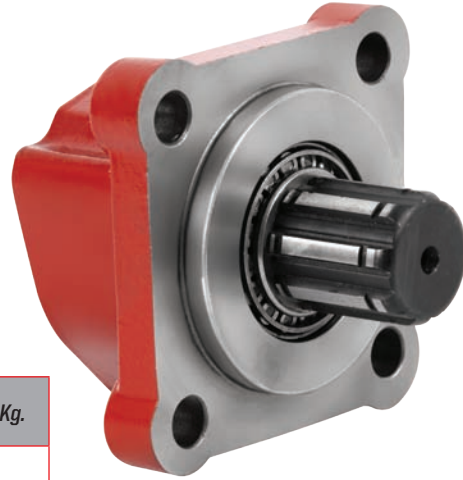




Code: 500 060 00
POWER TAKE OFF
GEAR PUMP ADAPTOR

500 060 00

PTO TYPE
MATERIEL
MODEL
EQUIPMENT



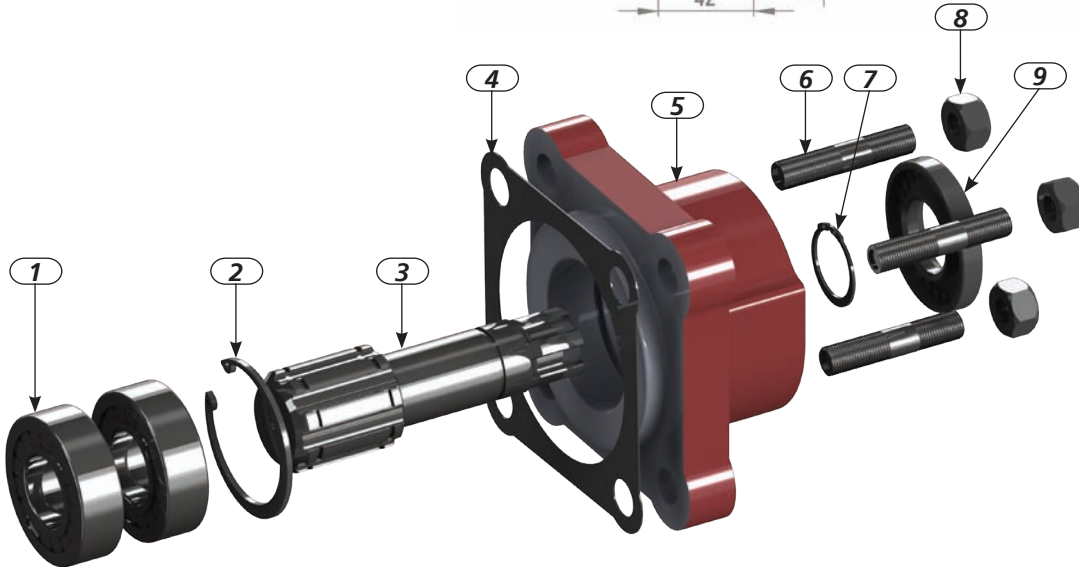
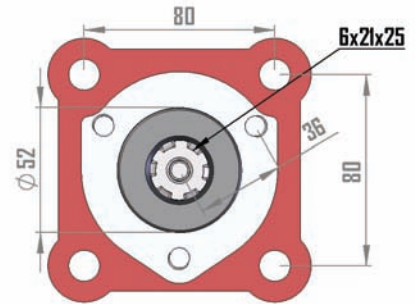
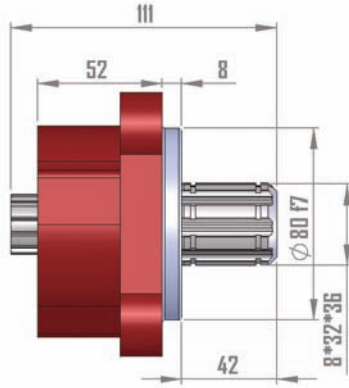
Weight Kg.

2,6

NOTE: CHECK WHETHER THERE IS TIGHTNESS AND THE OIL OF MAIN GEARBOX AFTER PTO ASSEMBLING.

NOTE: IF THE MAIN GEARBOX DIRECTION OF ROTATION IS LEFT; GEAR PUMP MUST BE SELECTED IN THE RIGHT DIRECTION.

NOTE: IF THE MAIN GEARBOX DIRECTION OF ROTATION IS RIGHT; GEAR PUMP MUST BE SELECTED IN THE LEFT DIRECTION.



Pos: 1 Qty: 2



Code: 020 020 403
Bearing 32205

Pos: 2 Qty: 1



Code: 020 010 252
Circlip 472/52

Pos: 3 Qty: 1



Code: 020 090 041
Shaft

Pos: 4 Qty: 1



Code: 020 050 103
Seal

Pos: 5 Qty: 1



Code: 020 080 029
Body

Pos: 6 Qty: 3



Code: 020 100 028
Screw M10*51

Pos: 7 Qty: 1



Code: 020 010 125
Circlip 471/25

Pos: 8 Qty: 3



Code: 020 100 040
Nut M 10

Pos: 9 Qty: 1



Code: 020 040 205
Seal Mim 25*52*7

P.T.O.

www.hidroozcelik.com