



Code: 500 065 00
POWER TAKE OFF
PISTON PUMP ADAPTOR

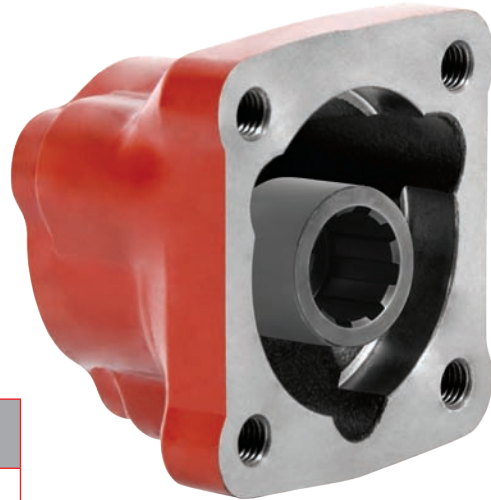
500 065 00

PTO TYPE

MATERIEL

MODEL

EQUIPMENT

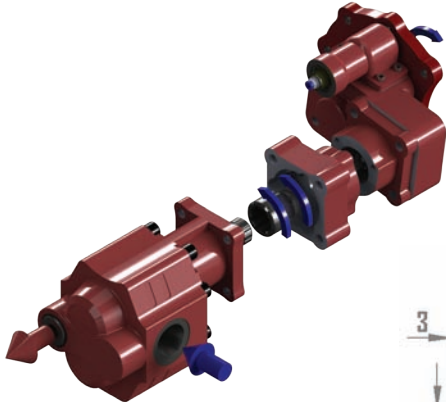


Weight Kg.

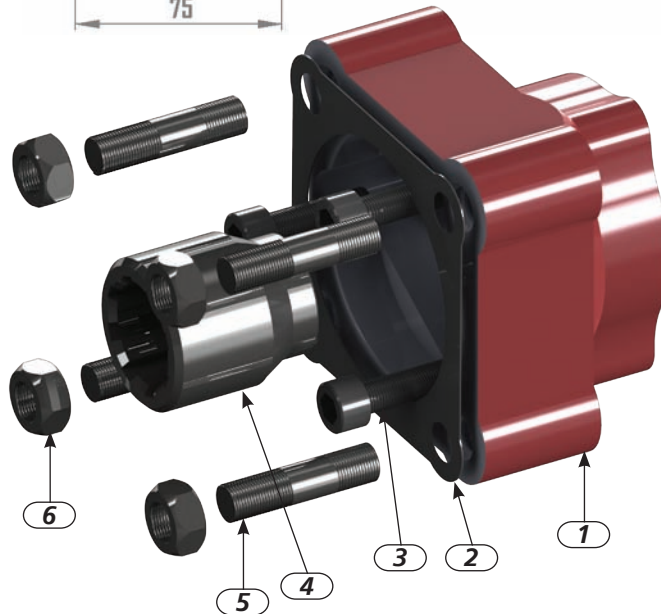
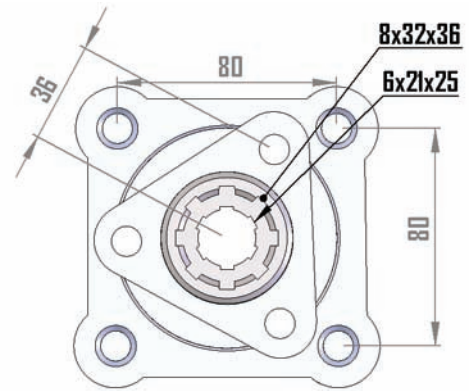
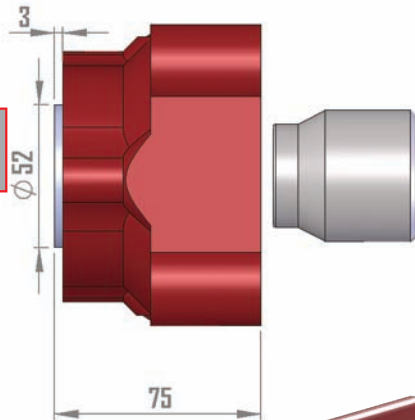
2,5

NOTE: CHECK WHETHER THERE IS TIGHTNESS AND THE OIL OF MAIN GEARBOX AFTER PTO ASSEMBLING.

NOTE: IF THE MAIN GEARBOX DIRECTION OF ROTATION IS LEFT ; GEAR PUMP MUST BE SELECTED IN THE RIGHT DIRECTION.



NOTE: IF THE MAIN GEARBOX DIRECTION OF ROTATION IS RIGHT ; GEAR PUMP MUST BE SELECTED IN THE LEFT DIRECTION.



Pos: 1 Qty:1



Code: 020 080 040
Body

Pos: 2 Qty:1



Code: 020 050 103
Seal

Pos: 3 Qty:3



Code: 020 100 010
Screw M 10*35

Pos: 4 Qty:1



Code: 710 608 051
Couplin

Pos: 5 Qty:4



Code: 020 100 020
Screw M 12*51

Pos: 6 Qty:4



Code: 020 100 029
Nut M 12