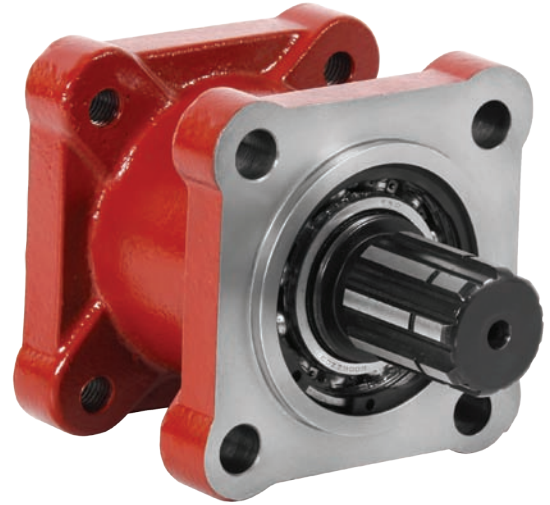
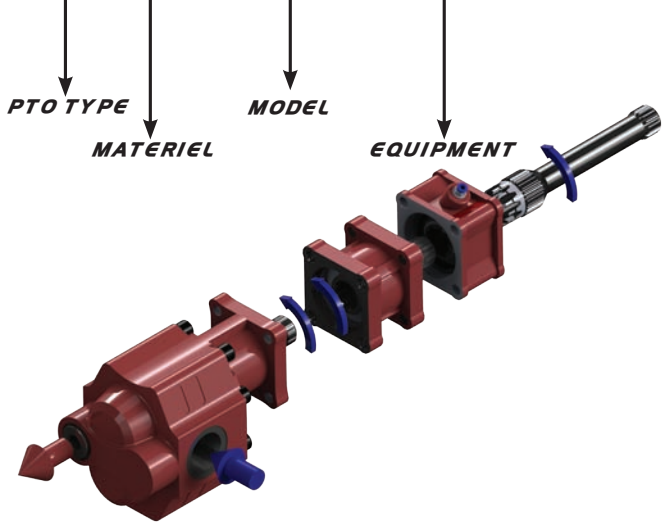




Code: 500 050 00
POWER TAKE OFF PUMP
EXTENSION SHORT CASTING

500 050 00



P.T.O.

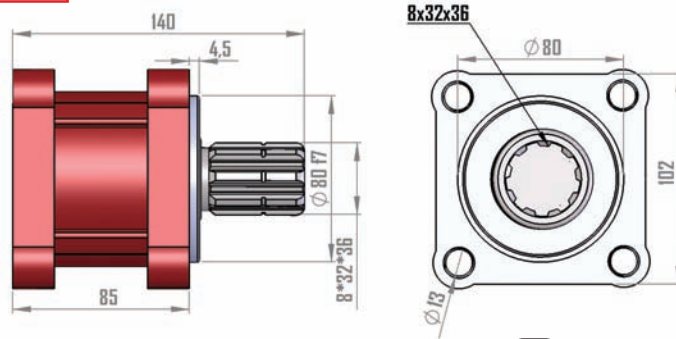
Weight Kg.
3,7

Fluid Temp. °C
0 / 90

NOTE : IF THE MAIN GEARBOX DIRECTION OF ROTATION IS RIGHT ; GEAR PUMP MUST BE SELECTED IN THE LEFT DIRECTION.

NOTE : CHECK WHETHER THERE IS TIGHTNESS AND THE OIL OF MAIN GEARBOX AFTER PTO ASSEMBLING.

NOTE : IF THE MAIN GEARBOX DIRECTION OF ROTATION IS LEFT ; GEAR PUMP MUST BE SELECTED IN THE RIGHT DIRECTION.



Pos: 8 Qty: 4

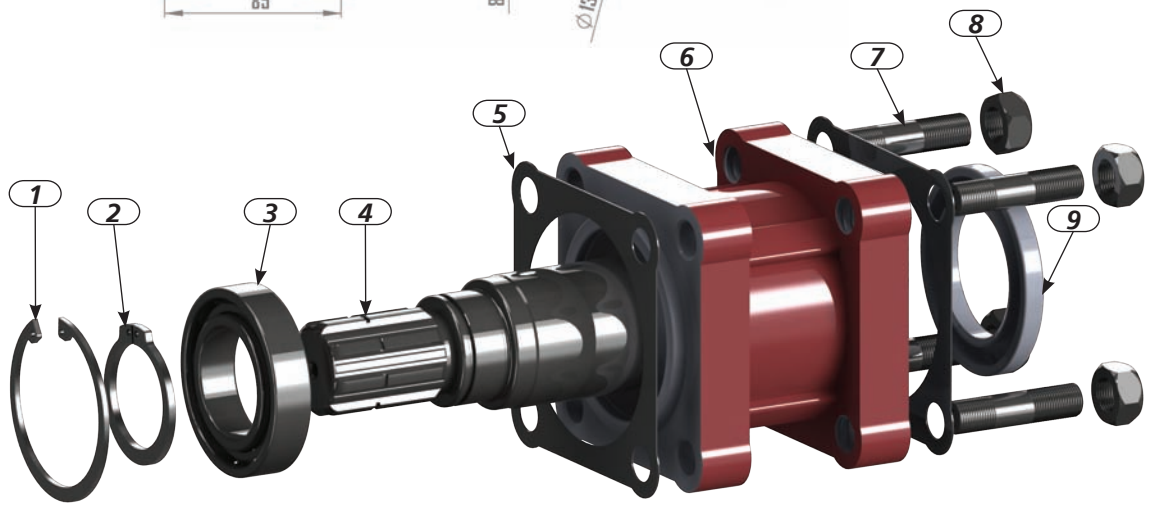


Code: 020 100 029
Nut M 12

Pos: 9 Qty: 1



Code: 020 040 604
Seal Mim 48*75*8



Pos: 1 Qty: 1



Code: 020 010 268
Circlip 472/68

Pos: 2 Qty: 1



Code: 020 010 140
Circlip 471/40

Pos: 3 Qty: 1




Code: 020 020 802
Bearing 6008

Pos: 4 Qty: 1



Code: 020 090 042
Shaft

Pos: 5 Qty: 2



Code: 020 050 103
Seal

Pos: 6 Qty: 1



Code: 020 080 002
Body Extension Short

Pos: 7 Qty: 4



Code: 020 100 020
Screw M 12*51