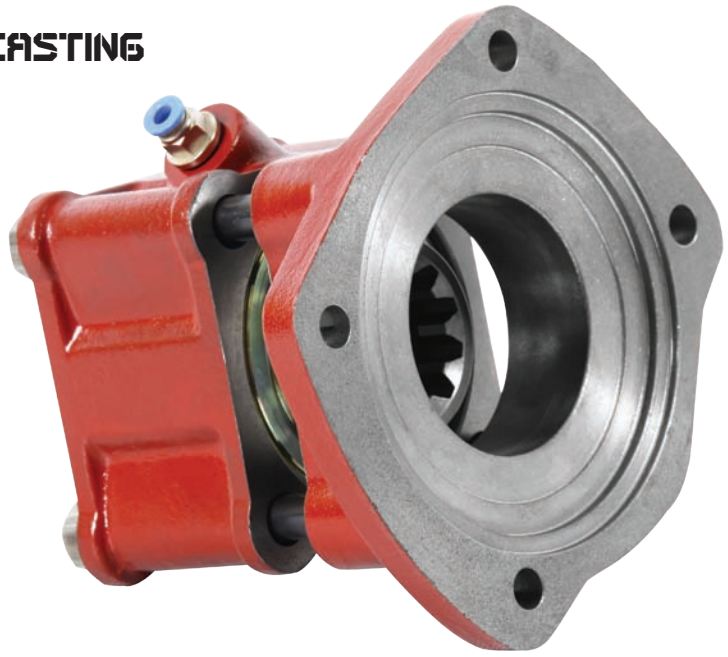
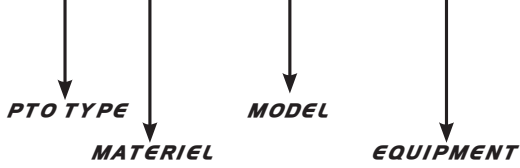




Code: 500 038 00
POWER TAKE OFF VOLVO F12 CASTING

500 038 00

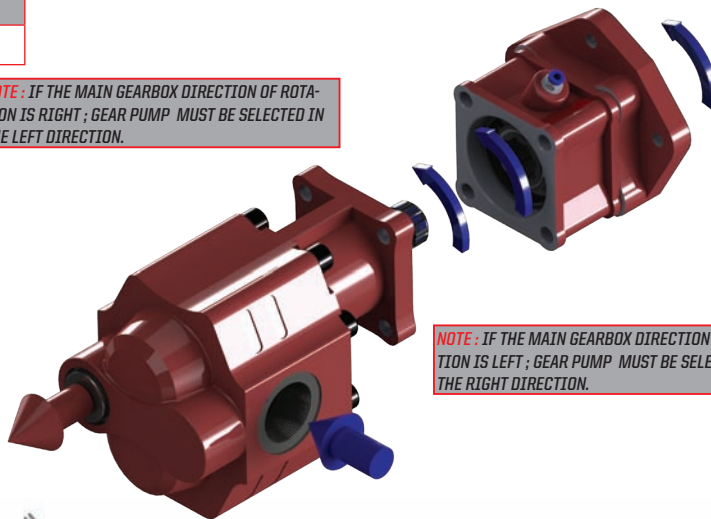


P.T.O.

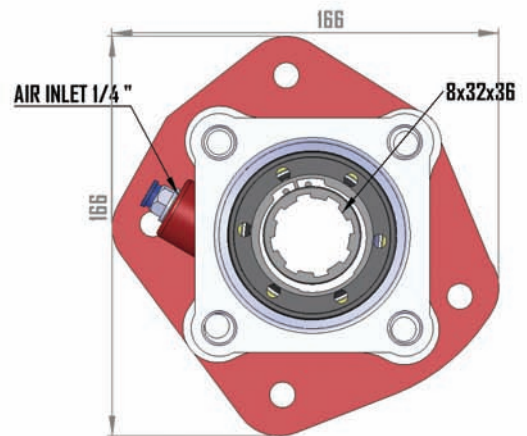
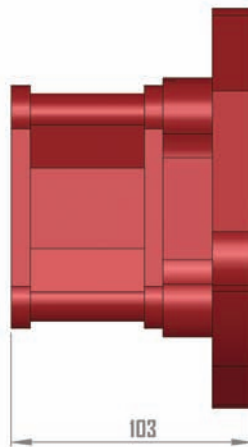
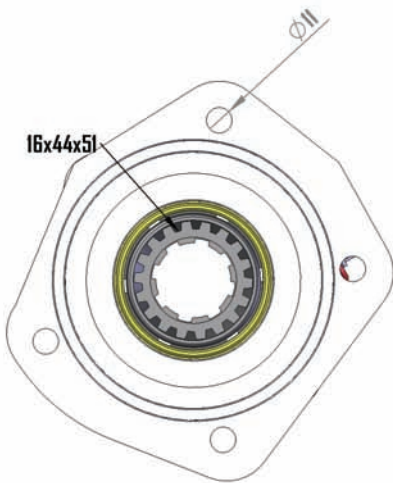
NOTE: CHECK WHETHER THERE IS TIGHTNESS AND THE OIL OF MAIN GEARBOX AFTER PTO ASSEMBLING.

Fluid Temp. °C	Input Working Bar
0 / 90	7 / 12 bar

NOTE: IF THE MAIN GEARBOX DIRECTION OF ROTATION IS RIGHT ; GEAR PUMP MUST BE SELECTED IN THE LEFT DIRECTION.



NOTE: IF THE MAIN GEARBOX DIRECTION OF ROTATION IS LEFT ; GEAR PUMP MUST BE SELECTED IN THE RIGHT DIRECTION.



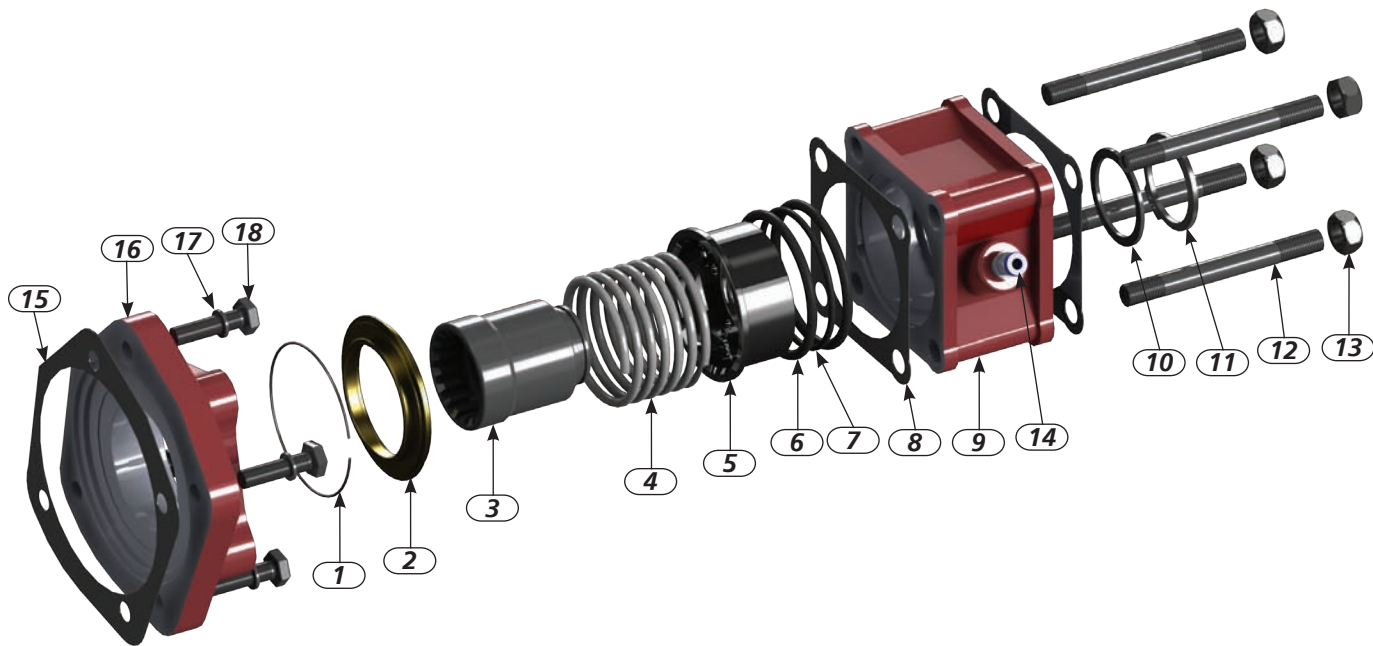
Code	Power HP at 1000 Rpm	Rotation	Output	Control	Torgue Continuous Nm	Torgue Max Nm	Ratio	Weight Kg
500 038 00	23	Right(Cw)	ISO	Pneumatic	250	280	1:1	5,8

Main Gearbox : R 62-SR61-R62/MR62 B

Test : 15 sec.

Code: 500 038 00

POWER TAKE OFF VOLVO F12 CASTING



<p>Pos: 1 Qty: 1</p>  <p>Code: 020 005 015 Circlip 90</p>	<p>Pos: 2 Qty: 1</p>  <p>Code: 020 090 003 Cover</p>	<p>Pos: 3 Qty: 1</p>  <p>Code: 020 120 002 Couplin</p>	<p>Pos: 4 Qty: 1</p>  <p>Code: 020 005 001 Spring</p>	<p>Pos: 5 Qty: 1</p>  <p>Code: 020 090 044 Mechanical</p>	<p>Pos: 6 Qty: 2</p>  <p>Code: 020 031 203 O ring 72,40*5,33</p>	<p>Pos: 7 Qty: 1</p>  <p>Code: 020 031 201 O ring 72,40*3,53</p>
<p>Pos: 8 Qty: 2</p>  <p>Code: 020 050 103 Seal</p>	<p>Pos: 9 Qty: 1</p>  <p>Code: 020 080 004 Body</p>	<p>Pos: 10 Qty: 1</p>  <p>Code: 020 090 020 Washer 42*52*2</p>	<p>Pos: 11 Qty: 1</p>  <p>Code: 020 010 142 Circlip 471/42</p>	<p>Pos: 12 Qty: 4</p>  <p>Code: 020 100 021 Screw M12*115</p>	<p>Pos: 13 Qty: 4</p>  <p>Code: 020 100 029 Nut M 12</p>	<p>Pos: 14 Qty: 1</p>  <p>Code: 020 110 004 Nipple 1/4" 6mm</p>
<p>Pos: 15 Qty: 1</p>  <p>Code: 020 050 102 Seal</p>	<p>Pos: 16 Qty: 1</p>  <p>Code: 020 080 001 Body</p>	<p>Pos: 17 Qty: 4</p>  <p>Code: 020 100 030 Washer M10</p>	<p>Pos: 18 Qty: 4</p>  <p>Code: 020 100 009 Screw M10*40</p>			

www.steelform.com