

Code: 500 070 00
POWER TAKE OFF
ZF ADAPTOR

500 070 00

PTO TYPE

MATERIEL

MODEL

EQUIPMENT

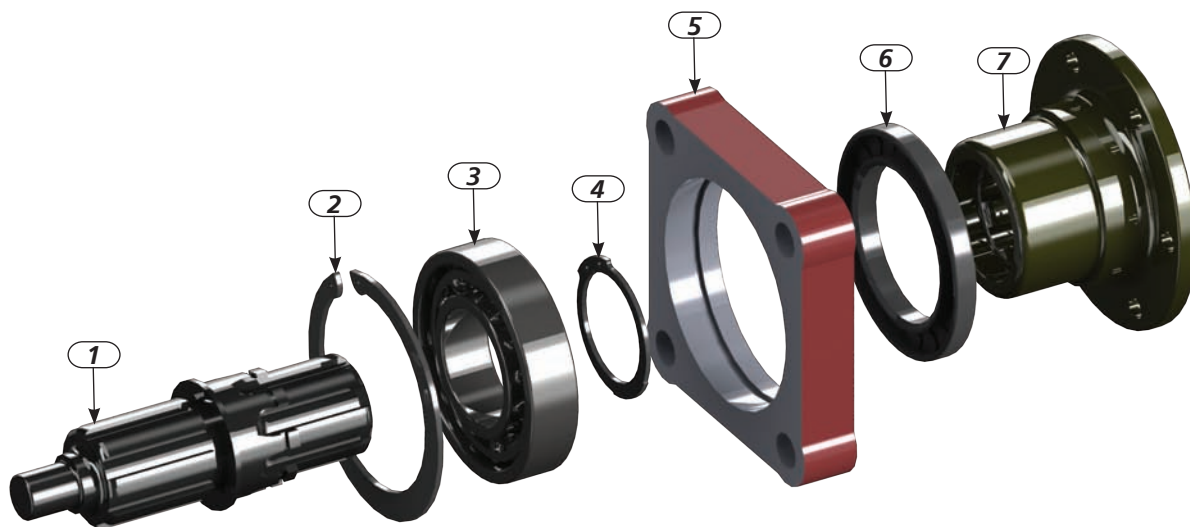
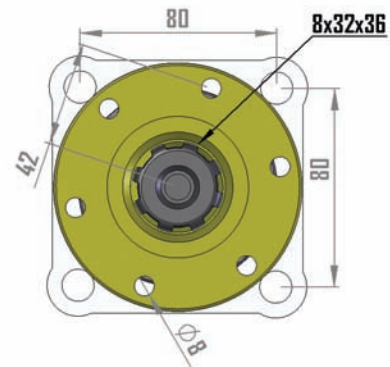
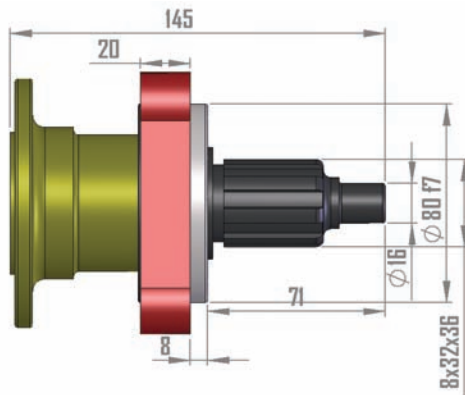
Weight Kg.

2,9

NOTE: CHECK WHETHER THERE IS TIGHTNESS AND THE OIL OF MAIN GEARBOX AFTER PTO ASSEMBLING.

NOTE: IF THE MAIN GEARBOX DIRECTION OF ROTATION IS LEFT; GEAR PUMP MUST BE SELECTED IN THE RIGHT DIRECTION.

NOTE: IF THE MAIN GEARBOX DIRECTION OF ROTATION IS RIGHT; GEAR PUMP MUST BE SELECTED IN THE LEFT DIRECTION.



Pos: 1	Qty: 1	Pos: 2	Qty: 1	Pos: 3	Qty: 1	Pos: 4	Qty: 1	Pos: 5	Qty: 1	Pos: 6	Qty: 1	Pos: 7	Qty: 1
Code: 020 090 049		Code: 020 010 280		Code: 020 020 807		Code: 020 010 140		Code: 020 080 031		Code: 020 040 703		Code: 020 090 072	
Shaft		Circlip 472/80		Bearing 6208		Circlip 471/40		Body		Seal Mim 55*80*8		Flange	