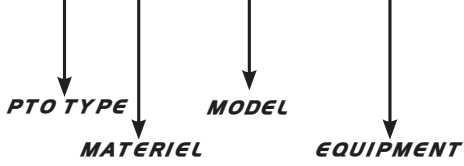
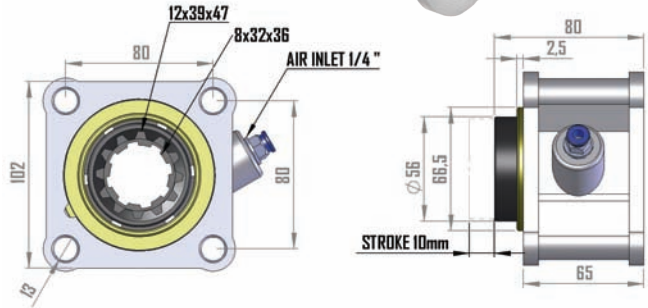
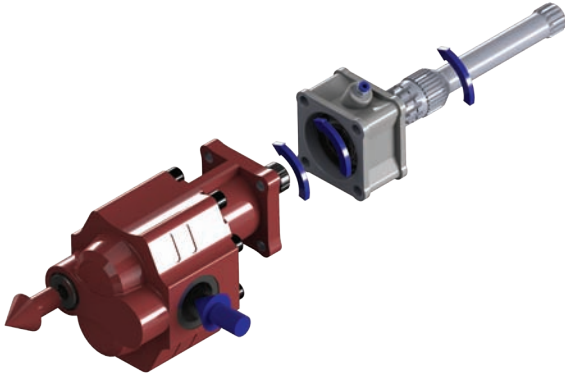


Code: 501 010 00
POWER TAKE OFF ZF ALUMINIUM

501 010 00



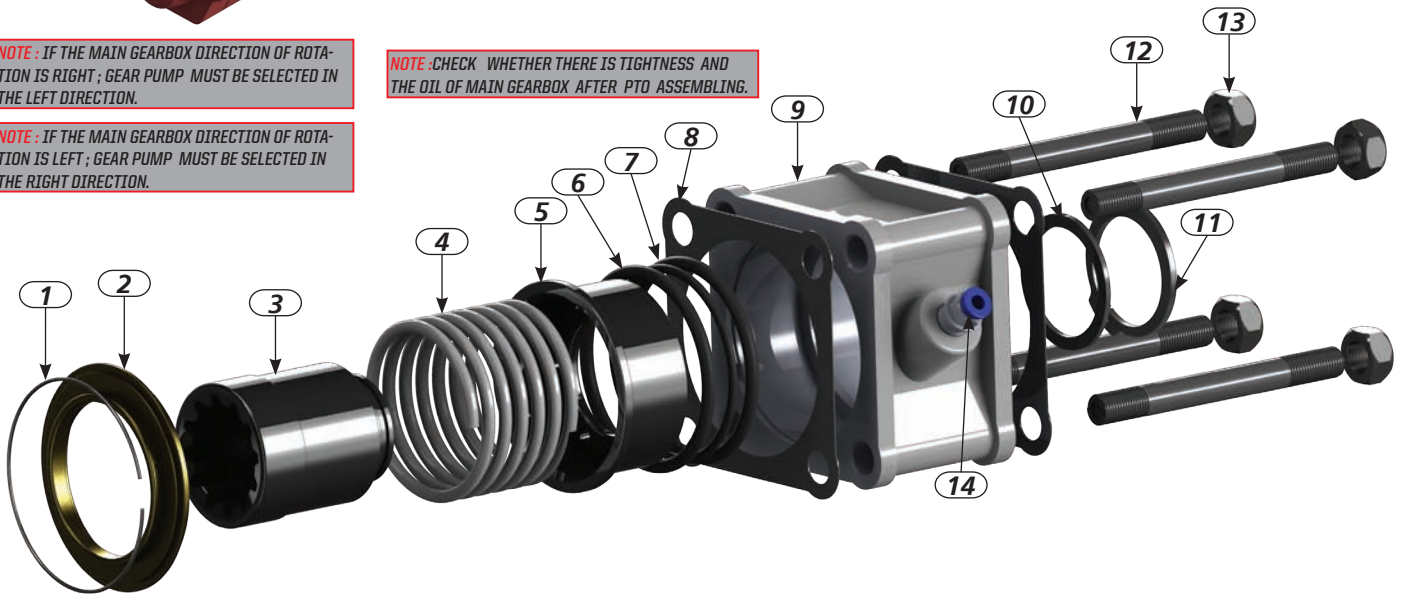
| | |
|----------------|-------------------|
| Fluid Temp. °C | Input Working Bar |
| 0 / 90 | 7 / 12 bar |



NOTE: IF THE MAIN GEARBOX DIRECTION OF ROTATION IS RIGHT; GEAR PUMP MUST BE SELECTED IN THE LEFT DIRECTION.

NOTE: IF THE MAIN GEARBOX DIRECTION OF ROTATION IS LEFT; GEAR PUMP MUST BE SELECTED IN THE RIGHT DIRECTION.

NOTE: CHECK WHETHER THERE IS TIGHTNESS AND THE OIL OF MAIN GEARBOX AFTER PTO ASSEMBLING.



| | | | | | | |
|--|---|---|---|--|---|---|
| Pos: 1 Qty: 1 Code: 020 005 015 Circlip 90 | Pos: 2 Qty: 1 Code: 020 090 003 Cover | Pos: 3 Qty: 1 Code: 020 120 003 Couplin | Pos: 4 Qty: 1 Code: 020 005 001 Spring | Pos: 5 Qty: 1 Code: 020 090 044 Mechanical | Pos: 6 Qty: 2 Code: 020 031 203 O ring 72,40*5,33 | Pos: 7 Qty: 1 Code: 020 031 201 O ring 72,40*3,53 |
| Pos: 8 Qty: 2 Code: 020 050 103 Seal | Pos: 9 Qty: 1 Code: 021 080 004 Body | Pos: 10 Qty: 1 Code: 020 090 020 Washer 42*52*2 | Pos: 11 Qty: 1 Code: 020 010 142 Circlip 471/42 | Pos: 12 Qty: 4 Code: 020 100 021 Screw M12*115 | Pos: 13 Qty: 4 Code: 020 100 029 Nut M 12 | Pos: 14 Qty: 1 Code: 020 110 004 Nipple 1/4" 6mm |

| Code | Power HP at 1000 Rpm | Rotation | Output | Control | Torgue Continuous Nm | Torgue Max Nm | Ratio | Weight Kg |
|------------|----------------------|-----------|--------|-----------|----------------------|---------------|-------|-----------|
| 501 010 00 | 35 | Right(Cw) | ISO | Pneumatic | 400 | 450 | 1:1 | 2,5 |

Main Gearbox : For G 100

Test : 15 sec.

P.T.O.

www.hidroozcelik.com