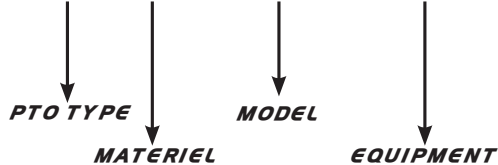
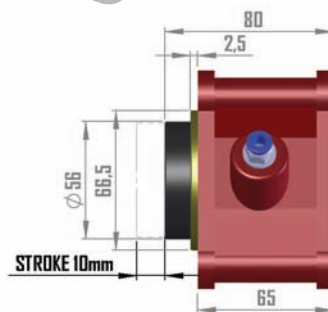
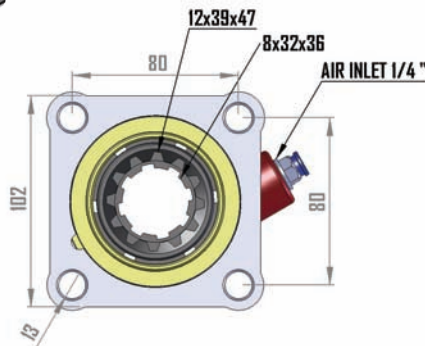
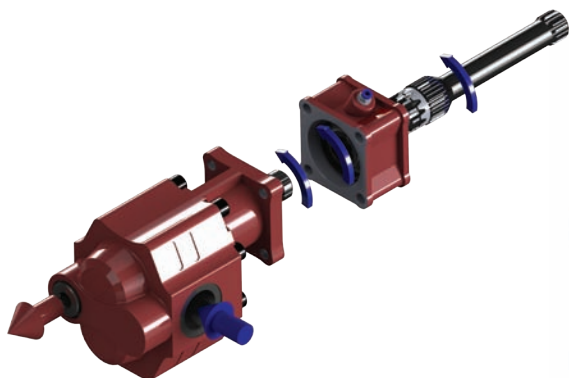


**Code: 500 010 00**  
**POWER TAKE OFF ZF CASTING**

**500 010 00**



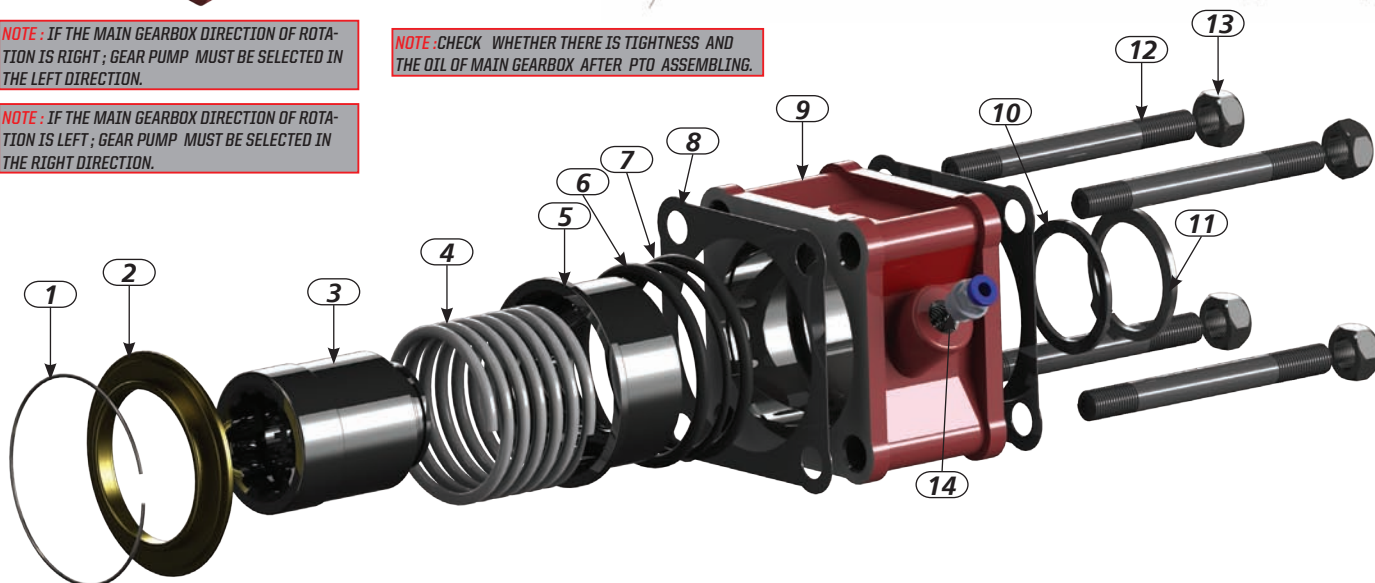
Fluid Temp. °C	Input Working Bar
0 / 90	7 / 12 bar



**NOTE:** IF THE MAIN GEARBOX DIRECTION OF ROTATION IS RIGHT ; GEAR PUMP MUST BE SELECTED IN THE LEFT DIRECTION.

**NOTE:** CHECK WHETHER THERE IS TIGHTNESS AND THE OIL OF MAIN GEARBOX AFTER PTO ASSEMBLING.

**NOTE:** IF THE MAIN GEARBOX DIRECTION OF ROTATION IS LEFT ; GEAR PUMP MUST BE SELECTED IN THE RIGHT DIRECTION.



Pos: 1 Qty: 1  Code: 020 005 015 Circlip 90	Pos: 2 Qty: 1  Code: 020 090 003 Cover	Pos: 3 Qty: 1  Code: 020 120 003 Couplin	Pos: 4 Qty: 1  Code: 020 005 001 Spring	Pos: 5 Qty: 1  Code: 020 090 044 Mechanical	Pos: 6 Qty: 2  Code: 020 031 203 O ring 72,40*5,33	Pos: 7 Qty: 1  Code: 020 031 201 O ring 72,40*3,53
Pos: 8 Qty: 2  Code: 020 050 103 Seal	Pos: 9 Qty: 1  Code: 020 080 004 Body	Pos: 10 Qty: 1  Code: 020 090 020 Washer 42*52*2	Pos: 11 Qty: 1  Code: 020 010 142 Circlip 471/42	Pos: 12 Qty: 4  Code: 020 100 021 Screw M12*115	Pos: 13 Qty: 4  Code: 020 100 029 Nut M 12	Pos: 14 Qty: 1  Code: 020 110 004 Nipple 1/4*6mm

Code	Power HP at 1000 Rpm	Rotation	Output	Control	Torgue Continuous Nm	Torgue Max Nm	Ratio	Weight Kg
500 010 00	35	Right(Cw)	ISO	Pneumatic	400	450	1:1	3,6

Main Gearbox : ZF 16S130-150-151-221-251 ZF S5/AK/6S-92-110-11-120

Test : 15 sec.

www.steelform.com